

16

1614 15

Power supply connectors

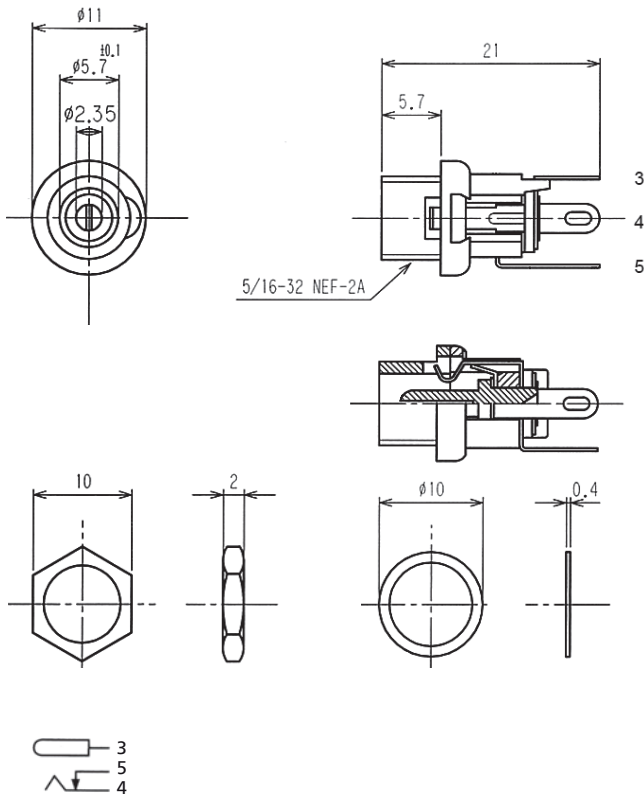


Power supply chassis socket, straight version, with break contact and solder eyes, for back side mounting

State: Obsolete

16

1614 15



Environmental conditions

Temperature range -20 °C/+70 °C

Materials

Insulating body	ABS, V-0 according to UL94
Contact	Cu alloy, nickel-plated/silver-plated
Insulation	PF
Hexagonal nut	CuZn, nickel-plated
Washer	steel, nickel-plated

Mechanical data






Diameter opening	5.7 mm
Diameter center pin	2.35 mm
Mating cycles	≥ 5000
Insertion force	≤ 30 N ¹
Withdrawal force	3–30 N ¹

¹ measured with a gauge plug

Electrical data (at T_{amb} 20 °C)

Contact resistance	≤ 30 mΩ
Rated current	1 A
Rated voltage	12 V DC
Rated impulse voltage	250 V/60 s
Insulation resistance	≥ 50 MΩ

Associated products

Counterparts			
 1633 04	 1634 02	 NES/J 25	
 NES/J 250	 XNES/J 250		

16

1614 15

Designation	Pole Number	PU (Pieces)	MDQ (Pieces)
1614 15	2	250	500

Packaging:

in bulk, in a cardboard box or a plastic bag