

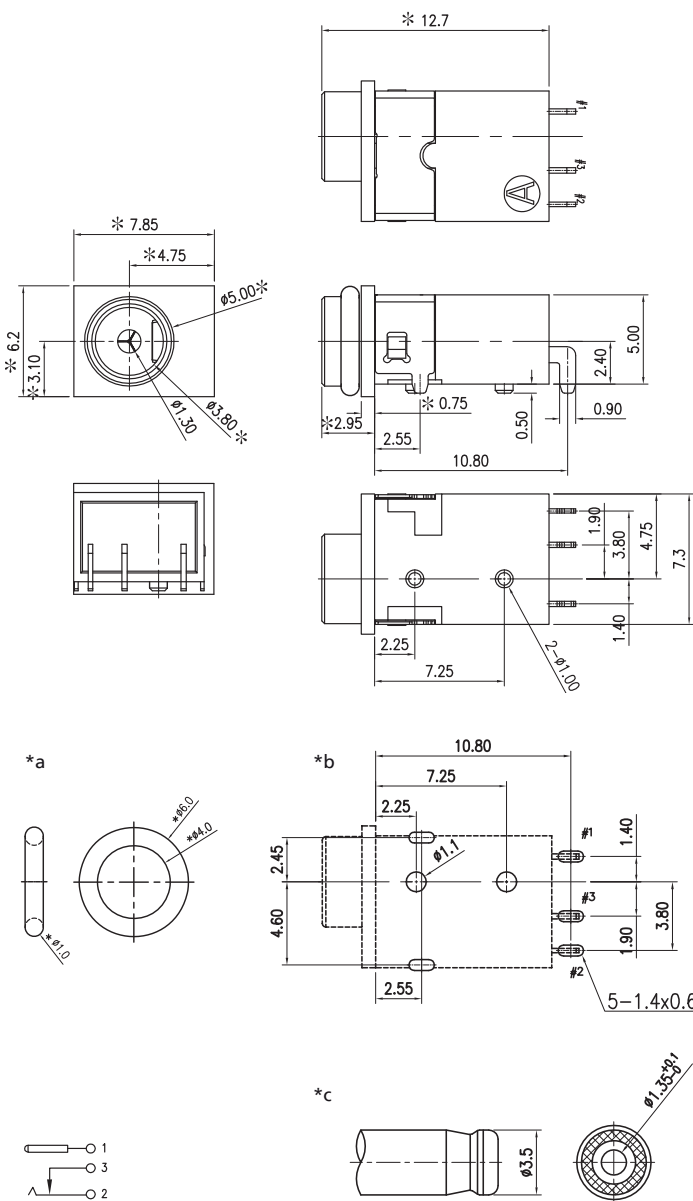
16

1614 22

## Power supply connectors



Power supply chassis socket, potted and with sealing towards mounting plate, IPx7, angular version, with break contact, for printed circuit boards



**Environmental conditions**

Temperature range -25 °C/+70 °C

**Materials**

Insulation body/housing	PA, V-0 according to UL94
Contact spring	CuSn, nickel and flash gold-plated
Contact pin	CuZn, nickel and flash gold-plated
Potting	Silicone
O-ring gasket	Silicone, V-0 according to UL94

**Mechanical data**

Diameter opening	3.8 mm
Diameter center pin	1.3 mm
Mating cycles	≥ 5000
Insertion force	3–30 N
Withdrawal force	3–30 N

**Electrical data (at T<sub>amb</sub> 20 °C)**

Contact resistance	≤ 50 mΩ
Rated current	3.5 A
Rated voltage	16 V DC
Rated impulse voltage	500 V/60 s
Insulation resistance	≥ 100 MΩ

**Associated products**

Counterparts  
 NES/J 135

- \*a O-ring is packed separately
- \*b printed circuit board layout, components side view
- \*c proper counterpart

16

1614 22

Designation	Pole Number	PU (Pieces)	MDQ (Pieces)
1614 22	2	250	500

**Packaging:**

on reel