

16

1633 03

Power supply connectors

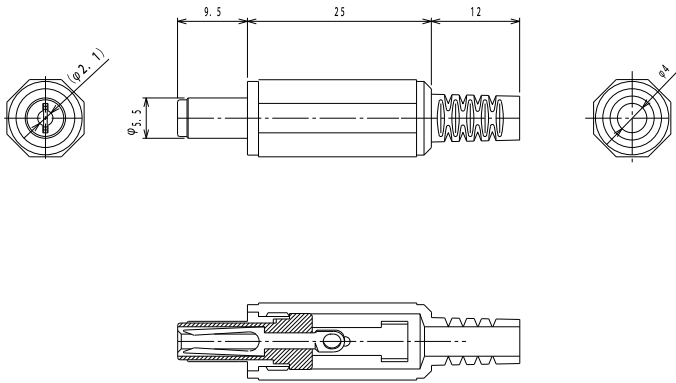


Power supply plug, straight version, with fork-shaped contact, solder eyes and bend protection

State: New

16

1633 03



Environmental conditions

Temperature range -20 °C/+70 °C

Materials

Insulating body	POM
Contact	Cu alloy/Fe, nickel-plated
Housing	PE

Mechanical data

Outer diameter	5,5 mm
Inner diameter	2,1 mm

Connectable conductors for solder area

Cable diameter	4 mm
----------------	------

Electrical data (at T_{amb} 20 °C)

Contact resistance	≤ 30 mΩ
Rated current	2 A
Rated voltage	24 V DC
Rated impulse voltage	500 V/60 s
Insulation resistance	≥ 100 MΩ

Associated products

Counterparts		
☞ 1610 02	☞ 1613 14	☞ 1613 18
☞ 1614 09	☞ 1614 14	☞ 1614 16
☞ 1614 19	☞ NEB 21 R	☞ NEB/J 21
☞ NEB/J 21 C	☞ NEB/J 21 R	☞ NEK/J 210

16

1633 03

Designation	Pole Number	PU (Pieces)	MDQ (Pieces)
1633 03	2	100	500