

16

1636 06

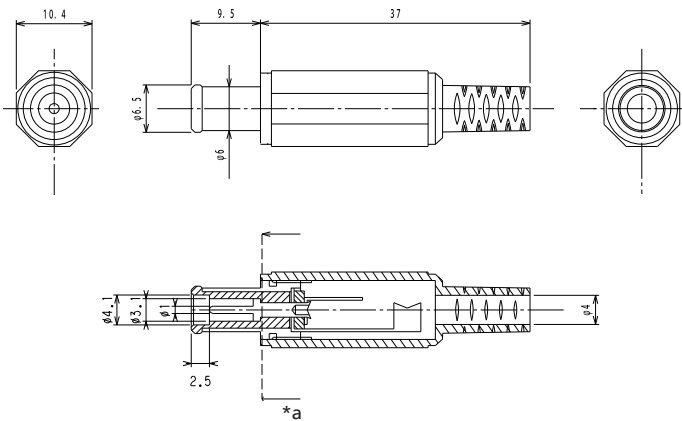
Power supply connectors



Power supply plug acc. to JEITA RC-5322 JCBP1, straight version, with solder eyes and bend protection

16

1636 06



*a tightening of the housing

Environmental conditions

Temperature range -20 °C/+70 °C

Materials

Insulating body	PF
Contact	CuZn, nickel-plated
Lötkontakt	steel, pre-copper and nickel-plated
Insulation	POM
Housing	PE

Mechanical data

Outer diameter	6.5 mm
Inner diameter	4.1 mm
Diameter center pin	1.0 mm

Connectable conductors for solder area

Cable diameter 4 mm

Electrical data (at T_{amb} 20 °C)

Rated current	2 A
Rated voltage	24 V DC
Rated impulse voltage	500 V/60 s
Insulation resistance	≥ 100 MΩ

Associated products

16

1636 06

Designation	Pole Number	PU (Pieces)	MDQ (Pieces)
1636 06	2	100	500

Packaging:

in bulk, in a cardboard box or a plastic bag