

24

2410 14

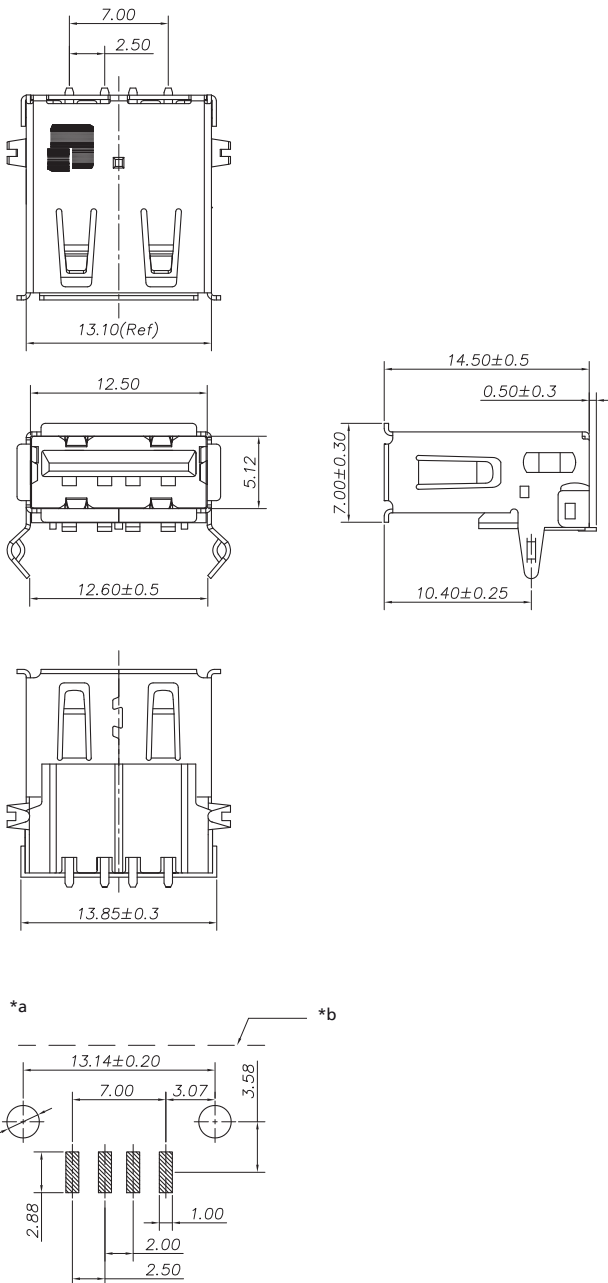
USB and IEEE 1394 connectors



USB 2.0 chassis socket type A, angular version, for printed circuit boards, surface mounting technology (SMT)

24

2410 14



*a printed circuit board layout, components side view
*b printed circuit board edge

Environmental conditions

Temperature range -40 °C/+85 °C

Materials

Insulating body LCP GF, V-0 according to UL94
Contact spring CuZn, pre-nickel and gold-plated
Housing steel, pre-copper and nickel-plated

Mechanical data

Mating cycles 1500
Insertion force ≤ 35 N
Withdrawal force ≥ 10 N

Electrical data (at T_{amb} 20 °C)

Contact resistance ≤ 30 mΩ
Rated current 1 A
Rated voltage 30 V AC
Insulation resistance ≥ 1 GΩ

Associated products

Counterparts
[☞ 2410 07](#) [☞ 2410 08](#) [☞ 2480](#)
[☞ 2482](#)

24

2410 14

Designation	Pole Number	PU (Pieces)	MDQ (Pieces)
2410 14	4	50	600

Packaging:
in a tray