

24

2411 05

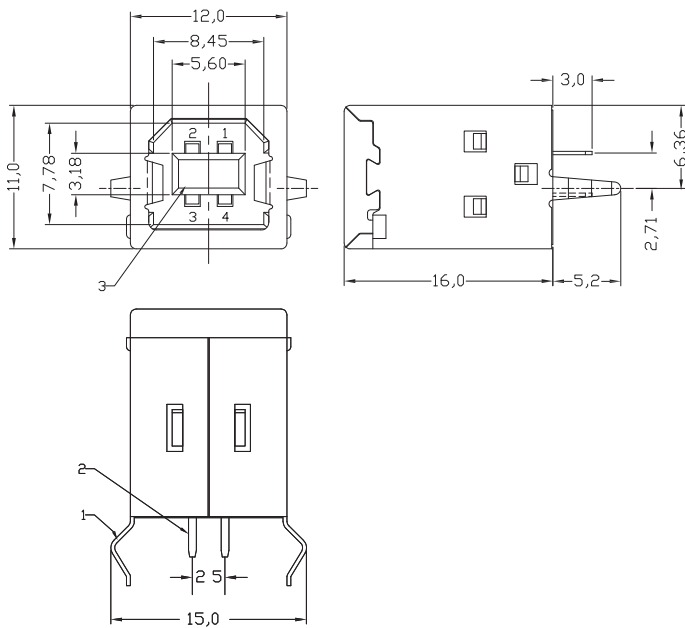
USB and IEEE 1394 connectors



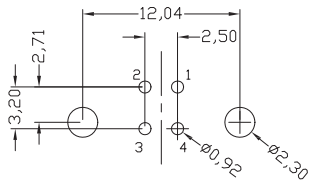
USB 2.0 chassis socket type B, upright version, for printed circuit boards

24

2411 05



*a



*a printed circuit board layout

Environmental conditions

Temperature range -55 °C/+85 °C

Materials

Insulating body PBT GF, V-0 according to UL94
 Contact spring CuSn, gold-plated
 Housing CuZn, nickel-plated

Mechanical data

Mating cycles 1500
 Insertion force ≤ 35 N
 Withdrawal force ≥ 10 N

Electrical data (at T_{amb} 20 °C)

Contact resistance ≤ 30 mΩ
 Rated current 1 A
 Rated voltage 30 V AC
 Rated impulse voltage 500 V AC/60 s
 Insulation resistance ≥ 100 MΩ

Associated products

24

2411 05

| Designation | Pole Number | PU (Pieces) | MDQ (Pieces) |
|-------------|-------------|-------------|--------------|
| 2411 05 | 4 | 100 | 500 |

Packaging:
in a tray