

24

2434 01

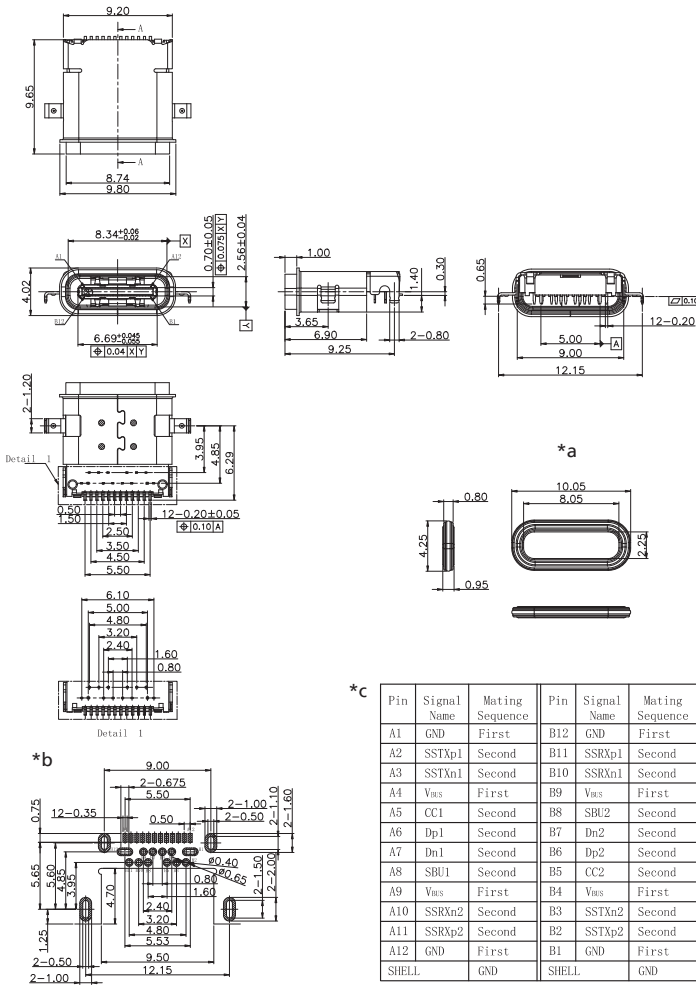
USB and IEEE 1394 connectors



USB 3.1 chassis socket type C, 24 poles, with sealing towards mounting plate, angular version, for printed circuit boards, surface mounting technology (SMT/THR)

24

2434 01



Environmental conditions

Temperature range -40 °C/+80 °C

Materials

Insulating body LCP, V-0 according to UL94
 Contact spring Cu alloy, gold-plated
 Housing steel, nickel-plated
 Seal Silicone rubber

Mechanical data

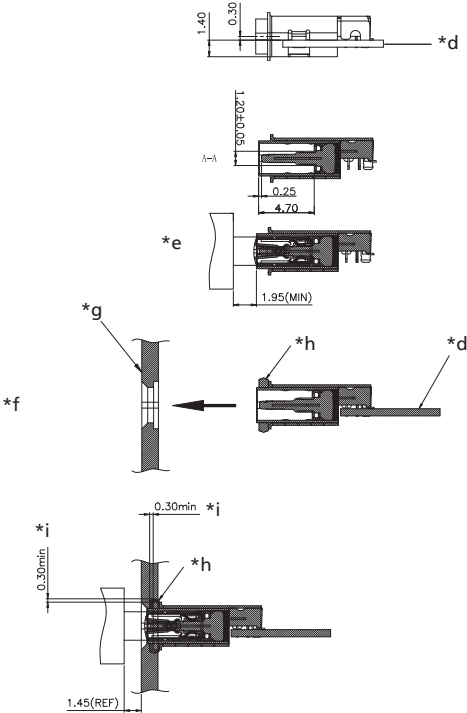
Mating cycles 10000
 Insertion force 5-20 N
 Withdrawal force 6-20 N

Electrical data (at T_{amb} 20 °C)

Contact resistance 40 mΩ
 Rated current 5 A/125 A/0.25 A
 Rated voltage 5 V/20 V
 Rated impulse voltage 100 V/60 s
 Insulation resistance ≥ 100 MΩ

Associated products

Counterparts
 ↗ 2483 01



- *a gasket ring
- *b printed circuit board layout, components side view
- *c pin assignment
- *d printed circuit board
- *e mated condition
- *f Installation situation and recommendation for sealing
- *g chassis plate
- *h gasket ring
- *i recommended compression of the gasket ring 40–50 %

24

2434 01

Designation	Pole Number	PU (Pieces)	MDQ (Pieces)
2434 01	24	700	700

Packaging:

on reel