

24

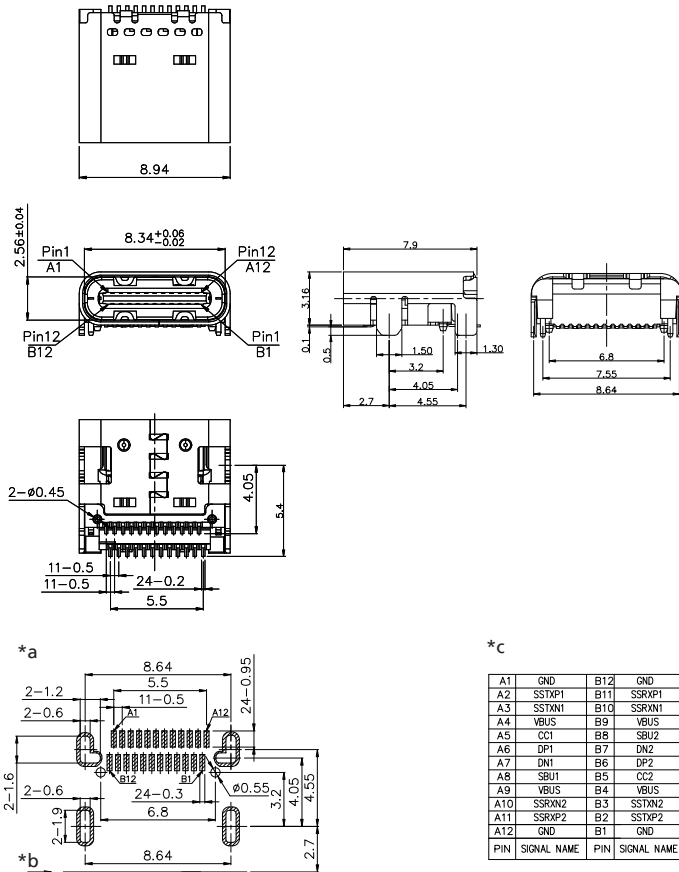
2436 01

USB and IEEE 1394 connectors



USB 3.1 chassis socket type C, 24 poles, angular version,  
for printed circuit boards, surface mounting technology  
(SMT)

24 2436 01



- \*a printed circuit board layout, components side view
- \*b connector front edge
- \*c pin assignment

**Environmental conditions**

Temperature range -25 °C/+85 °C

**Materials**

Insulating body PA, V-0 according to UL94  
 Contact spring Cu alloy, gold-plated  
 Housing steel, nickel-plated

**Mechanical data**

Mating cycles 10000  
 Insertion force 5–20 N  
 Withdrawal force 8–20 N

**Electrical data (at T<sub>amb</sub> 20 °C)**

Contact resistance 60 mΩ  
 Rated current 5 A  
 Rated voltage 5 V  
 Rated impulse voltage 100 V/60 s  
 Insulation resistance ≥ 100 MΩ

\*c

|     |             |     |             |
|-----|-------------|-----|-------------|
| A1  | GND         | B12 | GND         |
| A2  | SSTXP1      | B11 | SSRXP1      |
| A3  | SSTXN1      | B10 | SSRXN1      |
| A4  | VBUS        | B9  | VBUS        |
| A5  | CC1         | B8  | SBU2        |
| A6  | DP1         | B7  | DN2         |
| A7  | DN1         | B6  | DP2         |
| A8  | SBU1        | B5  | CC2         |
| A9  | VBUS        | B4  | VBUS        |
| A10 | SSRXN2      | B3  | SSTXN2      |
| A11 | SSRXP2      | B2  | SSTXP2      |
| A12 | GND         | B1  | GND         |
| PIN | SIGNAL NAME | PIN | SIGNAL NAME |

**Associated products**

Counterparts  
 ↗ 2483 01

24

2436 01

| Designation | Pole Number | PU (Pieces) | MDQ (Pieces) |
|-------------|-------------|-------------|--------------|
| 2436 01     | 24          | 900         | 900          |

**Packaging:**

on reel