

24

2486 03

USB and IEEE 1394 connectors

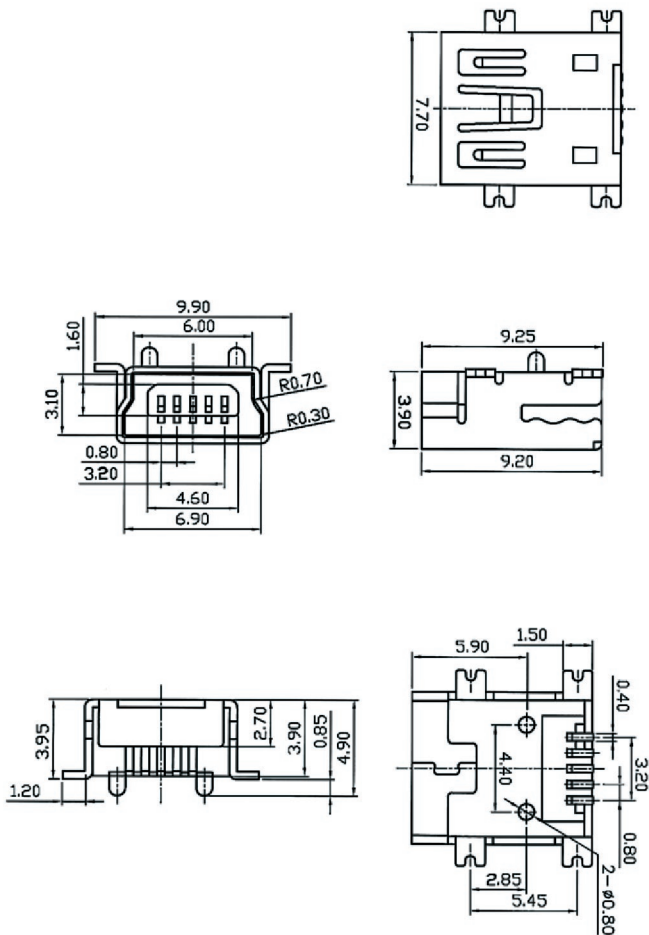


Mini USB 2.0 chassis socket type B, 5 poles, angular version, for printed circuit boards, surface mounting technology (SMT)

State: Obsolete

24

2486 03



Environmental conditions

Temperature range -40 °C/+85 °C

Materials

Insulating body PA
Contact spring CuSn, gold-plated
Housing CuZn, nickel-plated

Mechanical data

Insertion force ≤ 35 N
Withdrawal force ≥ 7 N

Electrical data (at T_{amb} 20 °C)

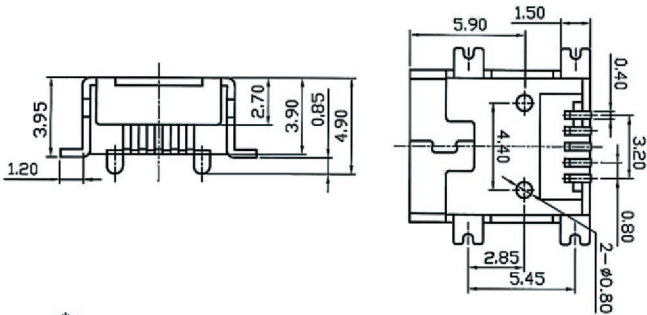
Contact resistance ≤ 50 m Ω
Rated current 0,5 A
Rated voltage 5 V AC
Rated impulse voltage 100 V/60 s
Insulation resistance ≥ 100 M Ω

Associated products

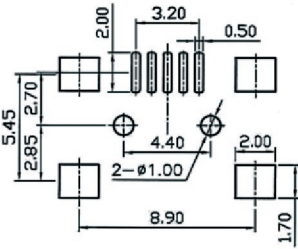
Counterparts
↗ 2480 ↗ 2482

24

2486 03



*a



*a printed circuit board layout, components side view

24

2486 03

Designation	Pole Number	PU (Pieces)	MDQ (Pieces)
2486 03 VP3	5	700	700

Packaging:

on reel