

24 2486 04

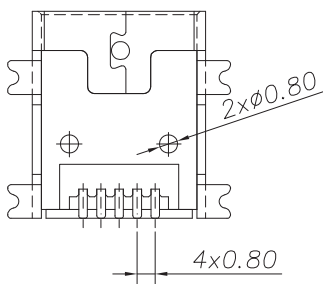
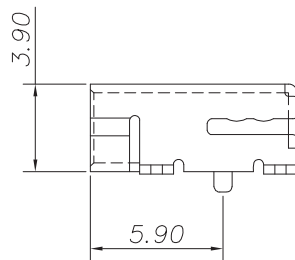
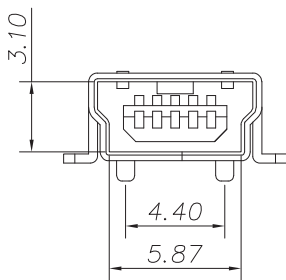
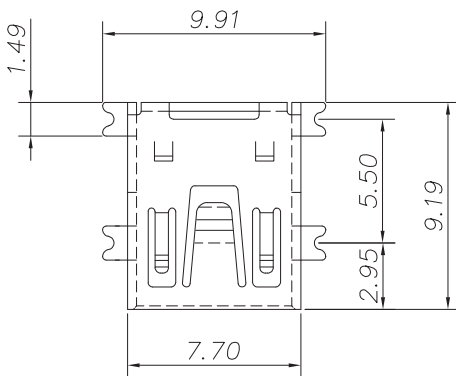
USB and IEEE 1394 connectors



Mini USB 2.0 chassis socket type B, 5 poles, angular version, for printed circuit boards, surface mounting technology (SMT)

24

2486 04



Environmental conditions

Temperature range -40 °C/+85 °C

Materials

Insulating body LCP, V-0 according to UL94
 Contact spring CuSn, gold-plated in mating area, tin-plated in solder area
 Housing Steel/CuZn, nickel-plated

Mechanical data

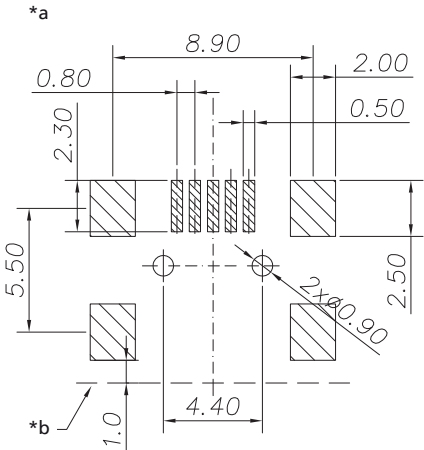
Mating cycles 5000
 Insertion force ≤ 35 N
 Withdrawal force ≥ 7 N

Electrical data (at T_{amb} 20 °C)

Contact resistance ≤ 50 m Ω
 Rated current 1 A
 Rated voltage 30 V DC
 Rated impulse voltage 300 V AC
 Insulation resistance ≥ 100 M Ω

Associated products

Counterparts
 ☞ 2480 ☞ 2482



*a printed circuit board layout, components side view
*b printed circuit board edge

24

2486 04

Designation	Pole Number	PU (Pieces)	MDQ (Pieces)
2486 04	5	50	400
2486 04 VP3	5	1000	1000

Packaging:

2486 04 in a bar stock carrier, 2486 04 VP3 on reel