

25

2531 01

Modular connectors

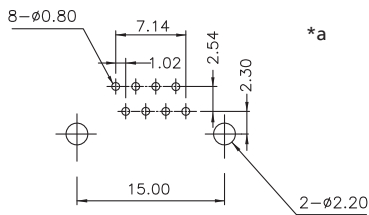
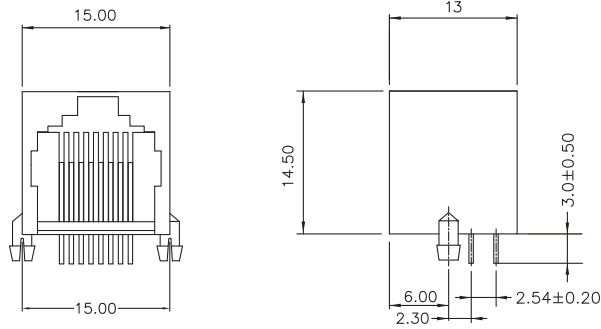


Modular chassis socket, 8P8C (RJ45), angular, with topside locking, for printed circuit boards

State: Active

25

2531 01



*a printed circuit board layout, components side view

Environmental conditions

Temperature range -20 °C/+85 °C

Materials

Insulating body PBT GF, V-0 according to UL94
Contact spring CuSn, flash gold-plated

Mechanical data

Mating cycles 750
Insertion force $\leq 22,6$ N

Electrical data (at T_{amb} 20 °C)

Contact resistance ≤ 20 m Ω
Rated current $\leq 1,5$ A
Rated voltage ≤ 150 V AC
Rated impulse voltage 1 kV/60 s
Insulation resistance ≥ 500 M Ω

Associated products

Counterparts
[☞ P 129](#) [☞ P 129 S](#)

Accessories
[☞ 2533 01](#)

25

2531 01

Designation	Pole Number	PU (Pieces)	MDQ (Pieces)
2531 01	8	100	500

Packaging:

on reel