

25

2531 02

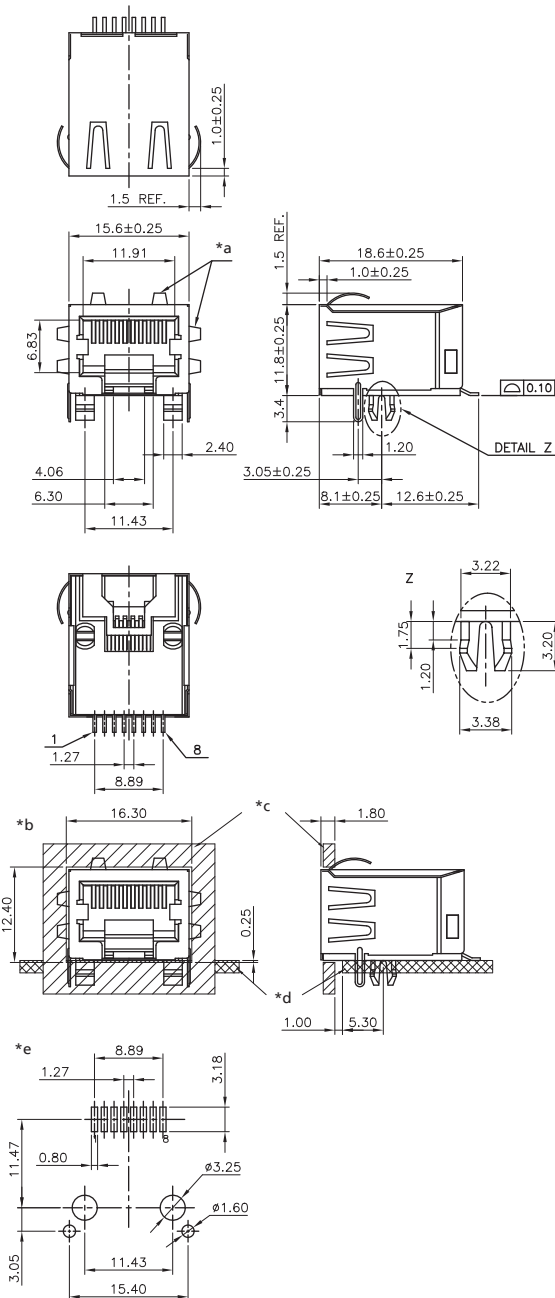
## Modular connectors



Modular chassis socket, 8p8c (RJ45), angular, with full shielding, positioning pegs/retaining hooks and ground contacts, for printed circuit boards, surface mounting technology (SMT)

25

2531 02



- \*a ground contact
- \*b recommended port in mounting plate
- \*c mounting plate
- \*d printed circuit board
- \*e printed circuit board layout

#### Environmental conditions

Temperature range -40 °C/+85 °C

#### Materials

Insulating body PA GF, V-0 according to UL94  
 Contact spring CuSn, pre-nickel and gold-plated, flash gold-plated in solder area  
 Housing CuZn, nickel-plated

#### Mechanical data

Mating cycles 750  
 Insertion force ≤ 22.6 N

#### Electrical data (at T<sub>amb</sub> 20 °C)

Contact resistance ≤ 20 mΩ  
 Rated current 1.5 A  
 Rated voltage 150 V  
 Insulation resistance ≥ 500 MΩ

#### Associated products

Counterparts  
 ☞ 2542 01      ☞ 2542 02      ☞ 2542 03  
 ☞ P 129      ☞ P 129 S

Accessories  
 ☞ 2533 01

25

2531 02

Designation	Pole Number	PU (Pieces)	MDQ (Pieces)
2531 02	8	100	100

**Packaging:**  
in a tray