

25

2542 02

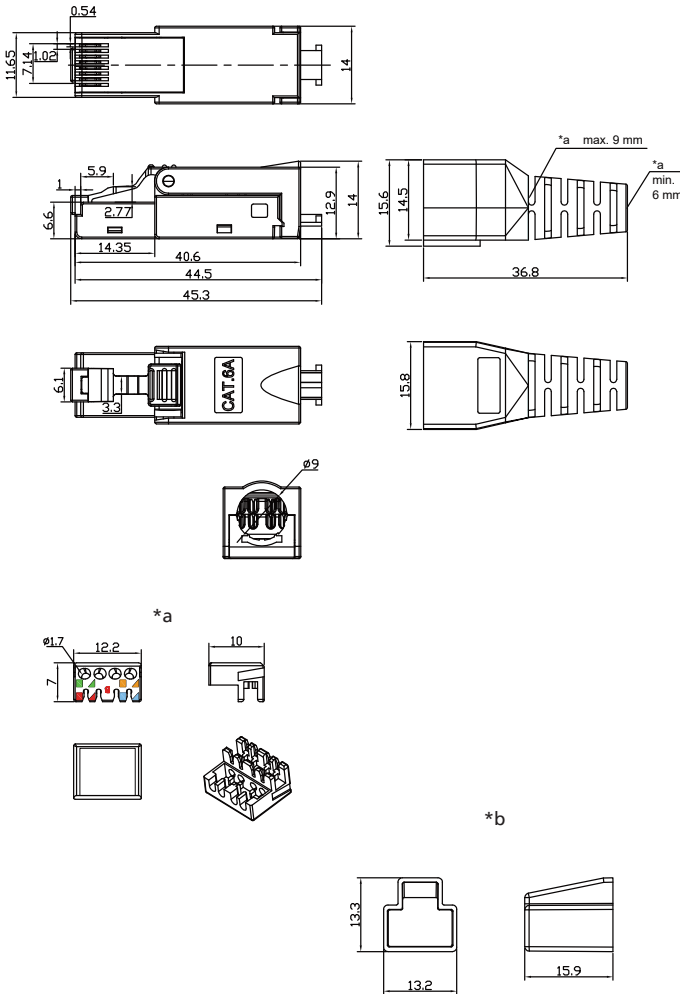
Modular connectors



Modular plug, Cat. 6a, 8p8c (RJ45), straight version, with protected locking latch, shielding and bend protection, toolless connection in insulation displacement technology (IDT)

25

2542 02



Environmental conditions

Temperature range 0 °C/+70 °C

Materials

| | |
|-----------------|-------------------|
| Insulating body | PC |
| IDT insert | PC |
| Contact | CuSn, gold-plated |
| Housing/handle | Zn alloy |

Connectable conductors for IDT area

| | |
|----------------|--------|
| Section min. | AWG 26 |
| Section max. | AWG 22 |
| Cable diameter | 6–9 mm |

Electrical data (at T_{amb} 20 °C)

| | |
|-----------------------|-------------------|
| Contact resistance | ≤ 20 mΩ |
| Rated current | 1.5 A |
| Rated voltage | 125 V AC RMS |
| Withstand voltage | 750 V AC RMS/60 s |
| Insulation resistance | 1 GΩ |

Associated products

Counterparts
 ↗ 2542 04 ↗ 2542 05 ↗ P 136
 ↗ P 137 S

- *a IDT insert
- *b protective cap, pre-mounted

25

2542 02

| Designation | Pole Number | PU (Pieces) | MDQ (Pieces) |
|-------------|-------------|-------------|--------------|
| 2542 02 | 8 | 50 | 100 |

Packaging:

individually in plastic bag, in cardboard box