

25

2542 03

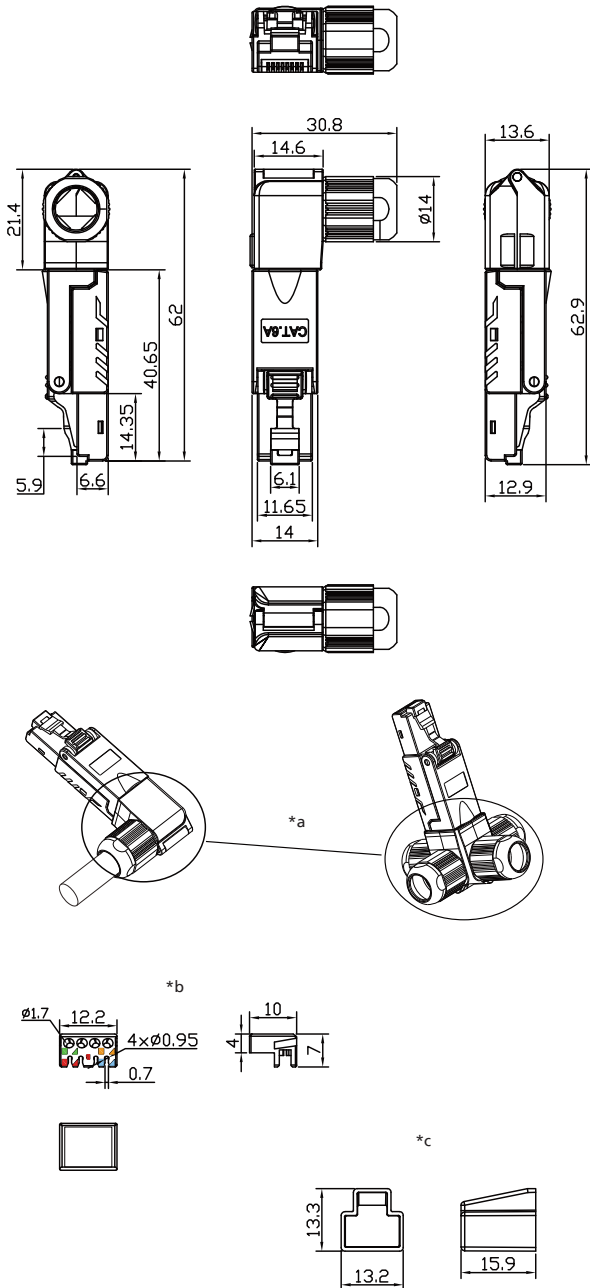
Modular connectors



Modular plug, Cat. 6a, 8p8c (RJ45), angular version (twistable), with protected locking latch and shielding, toolless connection in insulation displacement technology (IDT)

25

2542 03



Environmental conditions

Temperature range 0 °C/+70 °C

Materials

Insulating body	PC
IDT insert	PC
Contact	CuSn, gold-plated
Housing/handle	Zn alloy
Cap nut	plastic

Connectable conductors for IDT area

Section min.	AWG 26
Section max.	AWG 23
Cable diameter	≤ 8.9 mm

Electrical data (at T_{amb} 20 °C)

Contact resistance	≤ 20 mΩ
Rated current	1.5 A
Rated voltage	125 V AC RMS
Withstand voltage	750 V AC RMS/60 s
Insulation resistance	1 GΩ

Associated products

Counterparts
 ☞ 2542 04 ☞ 2542 05 ☞ P 136
 ☞ P 137 S

- *a angular cable departure in any direction
- *b IDT insert
- *c protective cap, pre-mounted

25

2542 03

Designation	Pole Number	PU (Pieces)	MDQ (Pieces)
2542 03	8	50	100

Packaging:

individually in plastic bag, in cardboard box