

25

2543 06

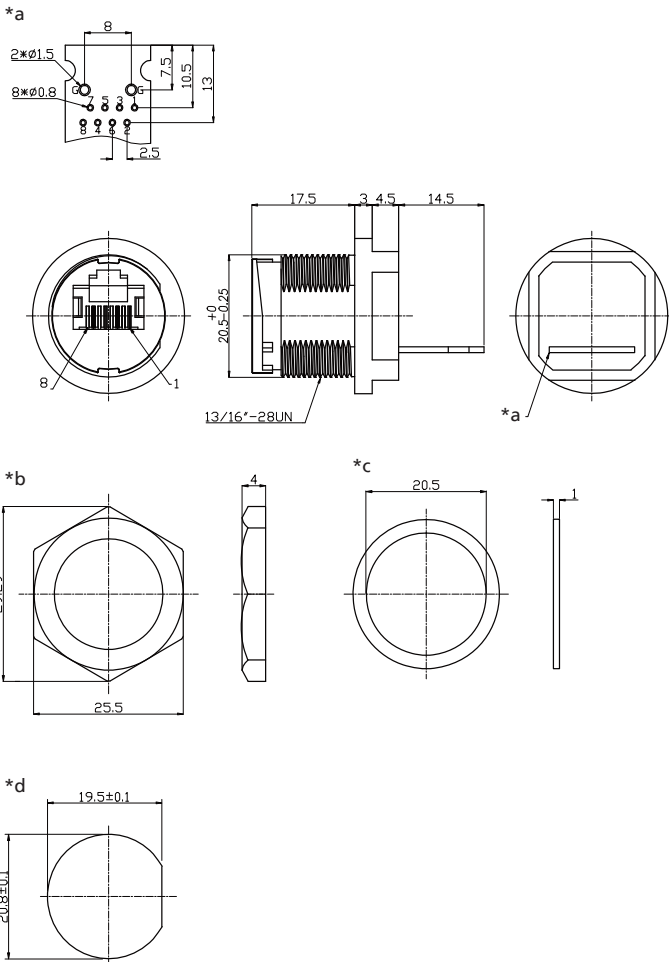
Modular connectors



Modular chassis socket, 8p8c (RJ45), with bayonet locking, shielding contacts and sealing towards mounting plate, IPx7, with solder terminals on printed circuit board, for back side mounting

25

2543 06



- *a integrated printed circuit board with solder terminals
- *b nut
- *c gasket
- *d port in mounting plate

Environmental conditions

Temperature range -40 °C/+85 °C

Materials

Insulating body	PBT, V-0 according to UL94
Contact	CuZn, flash gold-plated
Ground contact spring	stainless steel, nickel-plated
Housing	PA, V-0 according to UL94
Hexagonal nut	PA
Potting	Epoxy
Seal	Silicone

Mechanical data

Mating cycles	≥ 500
Insertion force	≤ 40 N
Withdrawal force	≥ 40 N
Tightening torque nut	≥ 0.4 Nm
Protection class	IPx7

Electrical data (at T_{amb} 20 °C)

Contact resistance	≤ 30 mΩ
Rated current	1.5 A
Rated voltage	125 V AC
Insulation resistance	500 MΩ

Associated products

Counterparts
 ↗ 2542 01 ↗ 2542 02 ↗ 2542 03
 ↗ P 129 ↗ P 129 S

Accessories
 ↗ 2533 01

25

2543 06

Designation	Pole Number	PU (Pieces)	MDQ (Pieces)
2543 06	8	30	90

Packaging:
in tablet