

41 2,54 MKBL

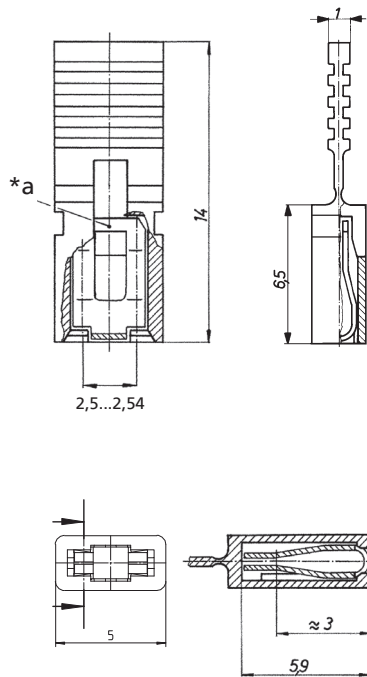
Shorting links, pitch 2.5/2.54 mm



Shorting link, with test pick-up, with handle latch

State: Phasing out

41 2,54 MKBL



*a test pick-up

Environmental conditions

Temperature range -25 °C/+100 °C

Materials

Insulating body PA, V-2 according to UL94
Contact spring CuSn, tin-plated – 2,54 MKBL
CuSn, pre-nickel and gold-plated – 2,54 MKBL/V

Mechanical data

Mating cycles ≥ 25 – 2,54 MKBL
 ≥ 150 – 2,54 MKBL/V¹
Insertion force $\leq 5,0$ N – 2,54 MKBL
 $\leq 4,0$ N – 2,54 MKBL/V²

Withdrawal force $\geq 2,0$ N²

¹ measured with appropriate counterparts (tin-plated/gold-plated)

² measured with a polished steel pin, nominal thickness 0.64 mm x 0.64 mm

Electrical data (at T_{amb} 20 °C)

Contact resistance ≤ 10 mΩ – 2,54 MKBL
 ≤ 5 mΩ – 2,54 MKBL/V

Rated current 2,5 A

Material group I (CTI ≥ 600)

Insulation resistance > 1 GΩ

Associated products

Counterparts

☞ 2,5 MS	☞ 2,5 MSF	☞ 2,5 MSF/O
☞ 2,5 MSFQ	☞ 2,5 MSFQ/O	☞ 2,5 MSFW
☞ 2,5 MSFW/O	☞ 2,5 MSFWQ	☞ 2,5 MSFWQ/O
☞ 3850	☞ 3851	☞ 3852
☞ 3853	☞ 8385 A 01	

41

2,54 MKBL

Designation	Pole Number	PU (Pieces)	MDQ (Pieces)
2,54 MKBL	-	5000	5000
2,54 MKBL/V	-	5000	5000

Packaging:

in bulk, in a plastic bag, in a cardboard box