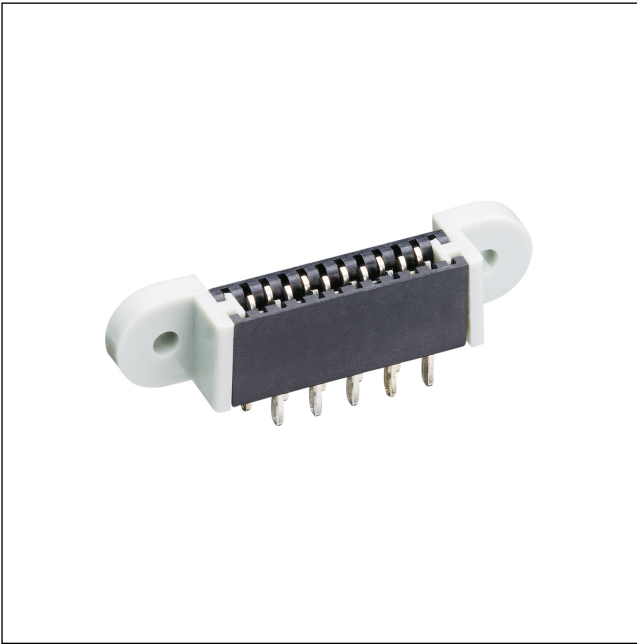


51

2,54 UFL

Direct connectors for insert cards, pitch 2.5/2.54/5.0/ 5.08 mm

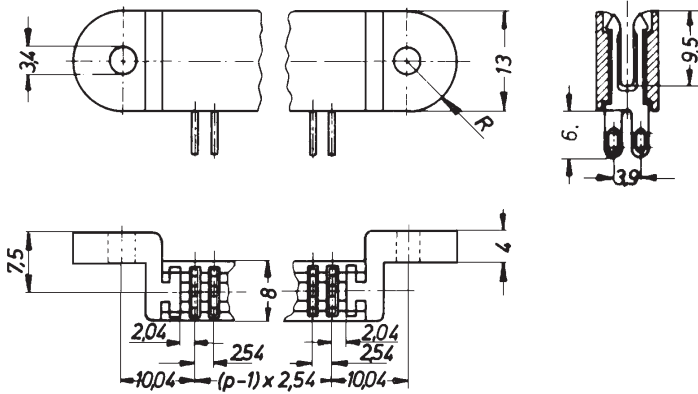


Socket board for direct mating, with mounted pair of flanges FL, with solder eyes

State: Phasing out

51

2,54 UFL



Environmental conditions

Temperature range -25 °C/+100 °C

Materials

Insulating body PPO
Contact spring CuSn, pre-nickel and tin-plated
Flange PC

Mechanical data

Mating with Leiterplatte 1,5 ± 0,14 mm

Electrical data (at T_{amb} 20 °C)

Contact resistance ≤ 3 mΩ
Rated current 5 A
Rated voltage 250 V AC
Rated impulse voltage ≥ 1,5 kV

Associated products

Accessories
☑ SP 3

Designation	Pole Number	PU (Pieces)	MDQ (Pieces)
2,54 UFL 03	3	200	2000
2,54 UFL 04	4	200	2000
2,54 UFL 05	5	200	2000
2,54 UFL 06	6	200	2000
2,54 UFL 07	7	200	2000
2,54 UFL 08	8	200	2000
2,54 UFL 09	9	200	2000
2,54 UFL 10	10	200	2000
2,54 UFL 11	11	200	2000
2,54 UFL 12	12	200	2000
2,54 UFL 13	13	200	2000
2,54 UFL 14	14	200	2000
2,54 UFL 15	15	200	2000
2,54 UFL 16	16	200	2000
2,54 UFL 17	17	200	2000
2,54 UFL 18	18	200	2000
2,54 UFL 19	19	200	2000
2,54 UFL 20	20	200	2000
2,54 UFL 21	21	200	2000
2,54 UFL 22	22	200	2000
2,54 UFL 23	23	200	2000
2,54 UFL 24	24	200	2000
2,54 UFL 25	25	200	2000
2,54 UFL 26	26	200	2000
2,54 UFL 27	27	200	2000
2,54 UFL 28	28	200	2000
2,54 UFL 29	29	200	2000
2,54 UFL 30	30	200	2000
2,54 UFL 31	31	200	2000
2,54 UFL 32	32	200	2000
2,54 UFL 33	33	200	2000
2,54 UFL 34	34	200	2000
2,54 UFL 35	35	200	2000
2,54 UFL 36	36	200	2000
2,54 UFL 37	37	200	2000
2,54 UFL 38	38	200	2000

Designation	Pole Number	PU (Pieces)	MDQ (Pieces)
2,54 UFL 39	39	200	2000
2,54 UFL 40	40	200	2000
2,54 UFL 41	41	200	2000
2,54 UFL 42	42	200	2000
2,54 UFL 43	43	200	2000
2,54 UFL 44	44	200	2000
2,54 UFL 45	45	200	2000
2,54 UFL 46	46	200	2000
2,54 UFL 47	47	200	2000
2,54 UFL 48	48	200	2000
2,54 UFL 49	49	200	2000
2,54 UFL 50	50	200	2000
2,54 UFL 51	51	200	2000
2,54 UFL 52	52	200	2000
2,54 UFL 53	53	200	2000
2,54 UFL 54	54	200	2000
2,54 UFL 55	55	200	2000
2,54 UFL 56	56	200	2000
2,54 UFL 57	57	200	2000
2,54 UFL 58	58	200	2000
2,54 UFL 59	59	200	2000
2,54 UFL 60	60	200	2000
2,54 UFL 61	61	200	2000

Packaging:

in bulk, in a cardboard box