

31

2,5 MSFQ

Minimodul™ connectors, pitch 2.5 mm

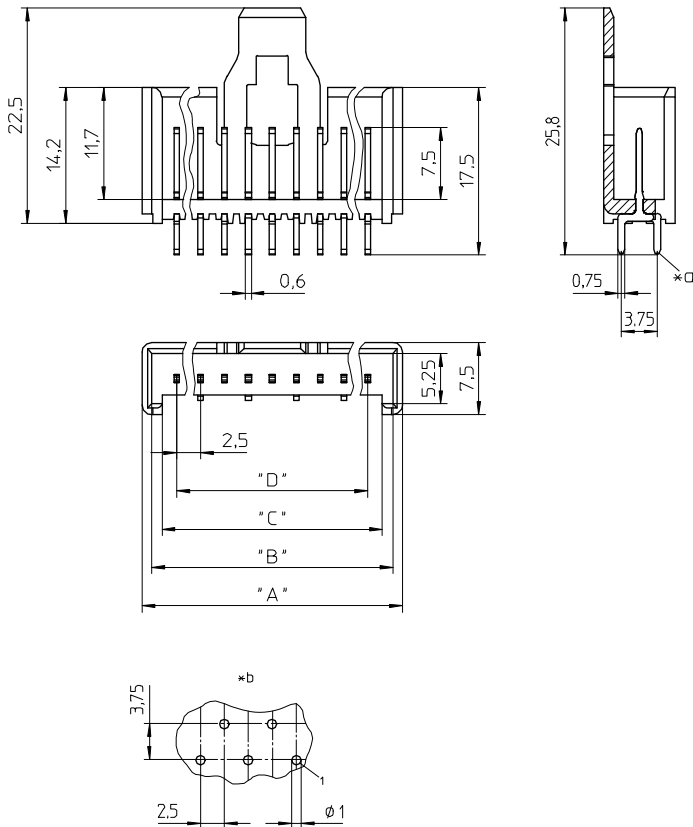


Minimodul™ pin header, upright, with locking latch, solder contacts dual row staggered

Approvals:



31 2,5 MSFQ



Environmental conditions

Temperature range -40 °C/+120 °C¹

¹ upper limit temperature (insulating body) RTI (electrical) of the UL Yellow Card

Materials

Insulating body PA GF, V-0 according to UL94¹

Contact pin CuZn, pre-nickel and tin-plated

¹ component glow wire resistant (GWT 750 °C), testing acc. to IEC 60695-2-11, assessment acc. to IEC 60335-1 (flame < 2 s)

Electrical data (at T_{amb} 20 °C)

Rated current 5 A (T_v 60 °C)

Rated voltage 160 V AC

Material group IIIa (IEC)/2 (UL) (CTI ≥ 250)

Creepage distance 1,9 mm

Clearance 1,9 mm

Insulation resistance > 1 GΩ

Associated products

Counterparts

☞ 3114

☞ 4143 01

*a for bore hole in printed circuit board Ø 1 mm

*b printed circuit board layout, solder side view

*c 2 pole connection with crimp connector 3114/3111 only with special version 2,5 MSFQ 02 (3114)

31 2,5 MSFQ

Designation	Pole Number	PU (Pieces)	MDQ (Pieces)	Dimensions			
				A (mm)	B (mm)	C (mm)	D (mm)
2,5 MSFQ 02 (3114)	2	250	2000	7.9	5.9	4.3	2.5 *c
2,5 MSFQ 02	2	250	2000	9.7	7.7	5.5	2.5
2,5 MSFQ 03	3	250	2000	12.2	10.2	8.0	5.0
2,5 MSFQ 04	4	250	2000	14.7	12.7	10.5	7.5
2,5 MSFQ 05	5	250	2000	17.2	15.2	13.0	10.0
2,5 MSFQ 06	6	250	2000	19.7	17.7	15.5	12.5
2,5 MSFQ 07	7	250	2000	22.2	20.2	18.0	15.0
2,5 MSFQ 08	8	250	2000	24.7	22.7	20.5	17.5
2,5 MSFQ 09	9	250	2000	27.2	25.2	23.0	20.0
2,5 MSFQ 10	10	250	2000	29.7	27.7	25.5	22.5
2,5 MSFQ 11	11	250	2000	32.2	30.2	28.0	25.0
2,5 MSFQ 12	12	250	2000	34.7	32.7	30.5	27.5
2,5 MSFQ 13	13	250	2000	37.2	35.2	33.0	30.0
2,5 MSFQ 14	14	250	2000	39.7	37.7	35.5	32.5
2,5 MSFQ 15	15	250	2000	42.2	40.2	38.0	35.0
2,5 MSFQ 16	16	250	2000	44.7	42.7	40.5	37.5
2,5 MSFQ 17	17	250	2000	47.2	45.2	43.0	40.0
2,5 MSFQ 18	18	250	2000	49.7	47.7	45.5	42.5
2,5 MSFQ 19	19	200	2000	52.2	50.2	48.0	45.0
2,5 MSFQ 20	20	200	2000	54.7	52.7	50.5	47.5

Packaging:

in bulk, in a cardboard box