

31 2,5 MSFW

Minimodul™ connectors, pitch 2.5 mm

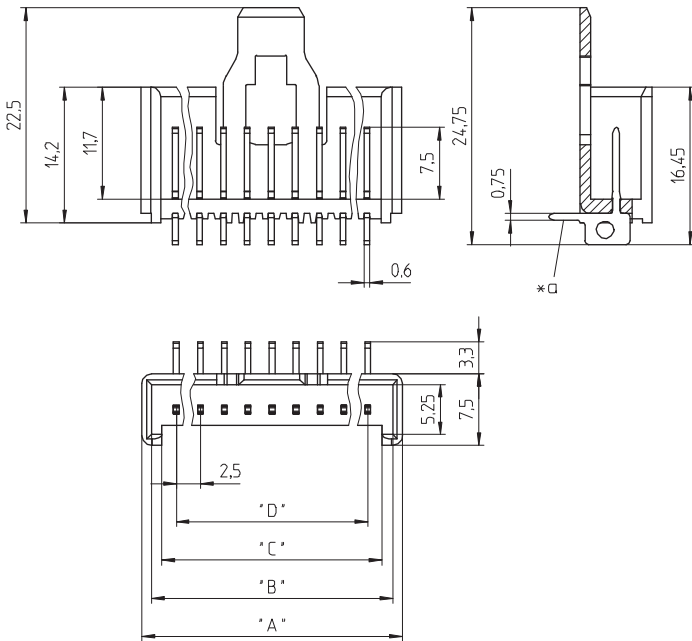


Minimodul™ pin header, angular, with locking latch, solder contacts single row

Approvals:



31 2,5 MSFW



- *a for bore hole in printed circuit board \varnothing 1 mm
- *b 2 pole connection with crimp connector 3114/3111 only with special version 2,5 MSFW 02 (3114)

Environmental conditions

Temperature range -40 °C/+120 °C¹

¹ upper limit temperature (insulating body) RTI (electrical) of the UL Yellow Card

Materials


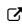
Insulating body PA GF, V-0 according to UL94¹
Contact pin CuZn, pre-nickel and tin-plated

¹ component glow wire resistant (GWT 750 °C), testing acc. to IEC 60695-2-11, assessment acc. to IEC 60335-1 (flame < 2 s)

Electrical data (at T_{amb} 20 °C)

Rated current 5 A (T_v 60 °C)
Rated voltage 160 V AC
Material group IIIa (IEC)/2 (UL) (CTI \geq 250)
Creepage distance 1,9 mm
Clearance 1,9 mm
Insulation resistance > 1 G Ω

Associated products

Counterparts
 3114  4143 01

31 2,5 MSFW

Designation	Pole Number	PU (Pieces)	MDQ (Pieces)	Dimensions			
				A (mm)	B (mm)	C (mm)	D (mm)
2,5 MSFW 02 (3114)	2	250	2000	7.9	5.9	4.3	2.5 *b
2,5 MSFW 02	2	250	2000	9.7	7.7	5.5	2.5
2,5 MSFW 03	3	250	2000	12.2	10.2	8.0	5
2,5 MSFW 04	4	250	2000	14.7	12.7	10.5	7.5
2,5 MSFW 05	5	250	2000	17.2	15.2	13.0	10
2,5 MSFW 06	6	250	2000	19.7	17.7	15.5	12.5
2,5 MSFW 07	7	250	2000	22.2	20.2	18.0	15
2,5 MSFW 08	8	250	2000	24.7	22.7	20.5	17.5
2,5 MSFW 09	9	250	2000	27.2	25.2	23.0	20
2,5 MSFW 10	10	250	2000	29.7	27.7	25.5	22.5
2,5 MSFW 11	11	250	2000	32.2	30.2	28.0	25
2,5 MSFW 12	12	250	2000	34.7	32.7	30.5	27.5
2,5 MSFW 13	13	250	2000	37.2	35.2	33.0	30
2,5 MSFW 14	14	250	2000	39.7	37.7	35.5	32.5
2,5 MSFW 15	15	250	2000	42.2	40.2	38.0	35
2,5 MSFW 16	16	250	2000	44.7	42.7	40.5	37.5
2,5 MSFW 17	17	250	2000	47.2	45.2	43.0	40
2,5 MSFW 18	18	250	2000	49.7	47.7	45.5	42.5
2,5 MSFW 19	19	200	2000	52.2	50.2	48.0	45
2,5 MSFW 20	20	200	2000	54.7	52.7	50.5	47.5

Packaging:

in bulk, in a cardboard box