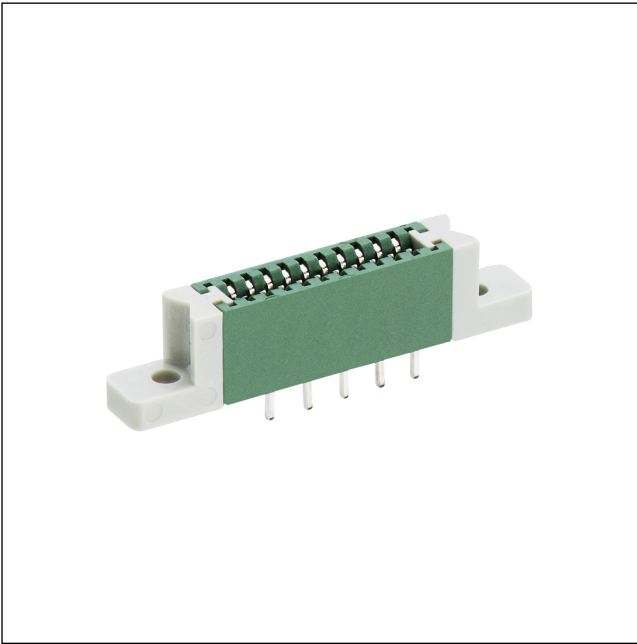


51

2,5 RF

Direct connectors for insert cards, pitch 2.5/2.54/5.0/ 5.08 mm



Socket board for direct mating, with mounted pair of flanges F, with solder pins

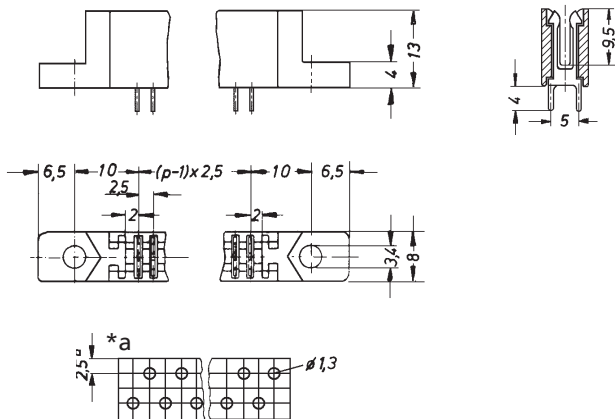
---

State: Phasing out

---

51

2,5 RF



\*a printed circuit board layout, solder side view

#### Environmental conditions

Temperature range -25 °C/+100 °C

#### Materials

Insulating body PPO  
Contact spring CuSn, pre-nickel and tin-plated  
Flange PC

#### Mechanical data

Mating with printed circuit board 1.5 ± 0.14 mm

#### Electrical data (at T<sub>amb</sub> 20 °C)

Contact resistance ≤ 3 mΩ  
Rated current 5 A  
Rated voltage 160 V AC  
Rated impulse voltage ≥ 1,5 kV

#### Associated products

Accessories  
☞ FF ☞ SP 3

Designation	Pole Number	PU (Pieces)	MDQ (Pieces)
2,5 RF 03	3	200	5000
2,5 RF 04	4	200	5000
2,5 RF 05	5	200	5000
2,5 RF 06	6	200	5000
2,5 RF 07	7	200	5000
2,5 RF 08	8	200	5000
2,5 RF 09	9	200	5000
2,5 RF 10	10	200	5000
2,5 RF 11	11	200	5000
2,5 RF 12	12	200	5000
2,5 RF 13	13	200	5000
2,5 RF 14	14	200	5000
2,5 RF 15	15	200	5000
2,5 RF 16	16	200	5000
2,5 RF 17	17	200	5000
2,5 RF 18	18	200	5000
2,5 RF 19	19	200	5000
2,5 RF 20	20	200	5000
2,5 RF 21	21	200	5000
2,5 RF 22	22	200	5000
2,5 RF 23	23	200	5000
2,5 RF 24	24	200	5000
2,5 RF 25	25	200	5000
2,5 RF 26	26	200	5000
2,5 RF 27	27	200	5000
2,5 RF 28	28	200	5000
2,5 RF 29	29	200	5000
2,5 RF 30	30	200	5000
2,5 RF 31	31	200	5000
2,5 RF 32	32	200	5000
2,5 RF 33	33	200	5000
2,5 RF 34	34	200	5000
2,5 RF 35	35	200	5000
2,5 RF 36	36	200	5000
2,5 RF 37	37	200	5000
2,5 RF 38	38	200	5000

Designation	Pole Number	PU (Pieces)	MDQ (Pieces)
2,5 RF 39	39	200	5000
2,5 RF 40	40	200	5000
2,5 RF 41	41	200	5000
2,5 RF 42	42	200	5000
2,5 RF 43	43	200	5000
2,5 RF 44	44	200	5000
2,5 RF 45	45	200	5000
2,5 RF 46	46	200	5000
2,5 RF 47	47	200	5000
2,5 RF 48	48	200	5000
2,5 RF 49	49	200	5000
2,5 RF 50	50	200	5000
2,5 RF 51	51	200	5000
2,5 RF 52	52	200	5000
2,5 RF 53	53	200	5000
2,5 RF 54	54	200	5000
2,5 RF 55	55	200	5000
2,5 RF 56	56	200	5000
2,5 RF 57	57	200	5000
2,5 RF 58	58	200	5000
2,5 RF 59	59	200	5000
2,5 RF 60	60	200	5000

**Packaging:**

in bulk, in a cardboard box