

31

3111 03 G

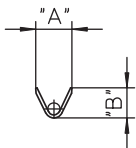
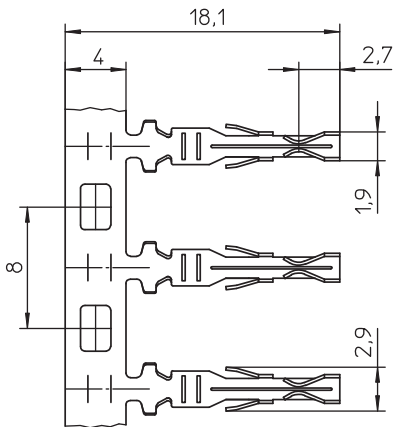
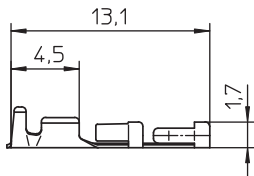
Minimodul™ connectors, pitch 2.5 mm



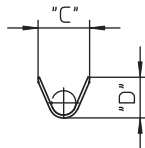
Minimodul™ crimp contact, on reel

31

3111 03 G



*a



*b

Environmental conditions

Temperature range -25 °C/+100 °C

Materials

Contact spring CuSn, tin-plated
other finishings on request

Mechanical data

Insertion force/contact ≤ 4.0 N
Withdrawal force/contact ≥ 0.5 N
Retaining force contact in insulating body ≥ 50 N
Further data see suitable connector housing

Connectable conductors for crimp area

Section 0.30–0.60 mm²
Insulation diameter 2.1 mm

Electrical data (at T_{amb} 20 °C)

Contact resistance ≤ 5 mΩ
Rated current 5.0 A (T_{amb} 30 °C)
2.5 A (T_{amb} 70 °C)
Further data see suitable connector housing

Associated products

Accessories

☞ 3114

Harnessing equipment

☞ CAW31-03

☞ CZB31-03

☞ VARICON 7000-DC-CR

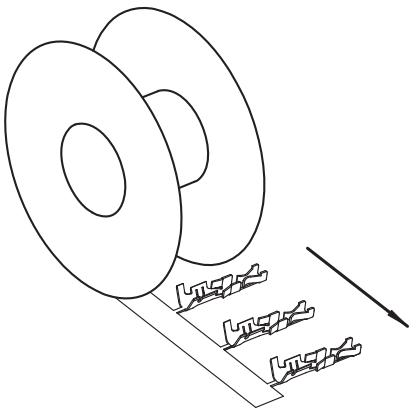
☞ VARICON 7000-Eco-CR

☞ VARICON 7000-Inline-CR

☞ VARICON 7000-RD-CR

31

3111 03 G



- *a crimp at conductor
- *b crimp at insulation

31

3111 03 G

Designation	Pole Number	PU (Pieces)	MDQ (Pieces)	Dimensions			
				A (mm)	B (mm)	C (mm)	D (mm)
3111 03 G	1	10000	10000	2.4	2.0	3.4	2.7
3111 03 G500	1	500	5000	2.4	2.0	3.4	2.7

Packaging:
on reel