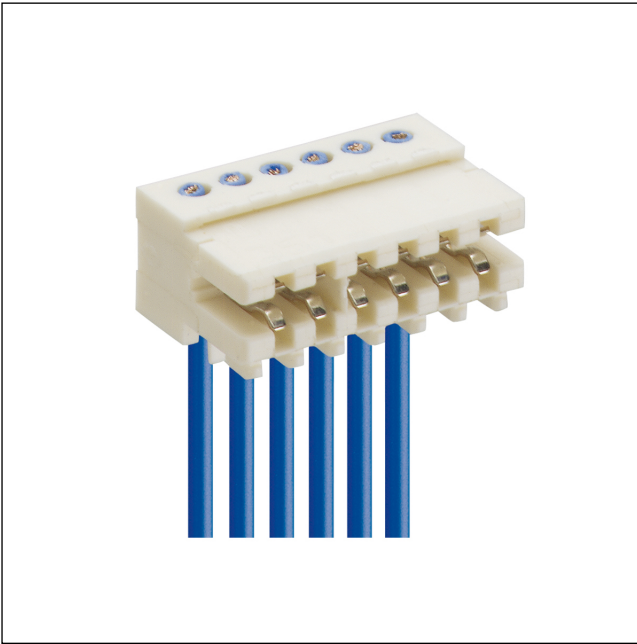


35

3510

RAST 2.5 connectors, pitch 2.5/5.0 mm



RAST 2.5 connector for direct mating, insulation displacement technology (IDT), alternatively with or without keying rib and closed sides, for individual conductors, daisy chain possible
contact pitch 2.5 mm

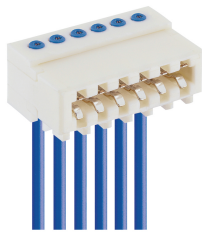
Approvals:



35

3510

keying example with closed sides



Environmental conditions

Temperature range -40 °C/+130 °C¹

¹ upper limit temperature (insulating body) RTI (electrical) of the UL Yellow Card


Materials

Insulating body PBT, V-0 according to UL94 – 3510 (S...V...)
PA, V-2 according to UL94 – 3510 M12(S...V...)¹


Contact spring CuSn, tin-plated – 3510 (M...S...)
CuSn, tin-plated (Sn/Ag), 2-9 poles – 3510 (M...S...)V03
CuSn, pre-nickel and gold-plated – 3510 (M...S...)V102
CuSn, tin-plated, with lubricant, 2-9 poles – 3510 (M...S...)V214

¹ M12: component glow wire resistant (GWT 750 °C), testing acc. to IEC 60695-2-11, assessment acc. to IEC 60335-1 (flame < 2 s)

Mechanical data

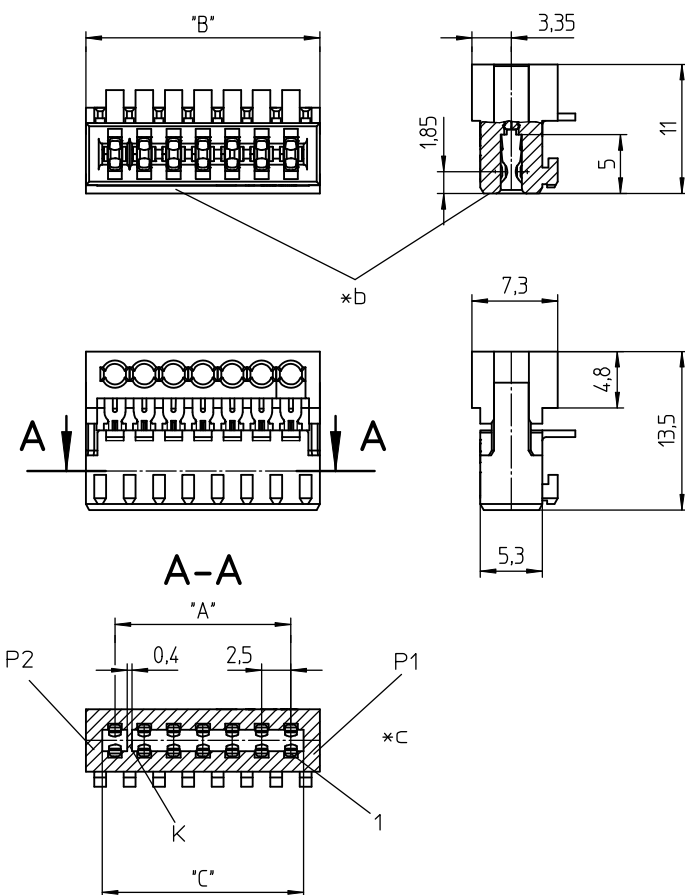
Mating with printed circuit board 1.5 ± 0.14 mm
Insertion force/contact ≤ 4,0 N
Withdrawal force/contact ≥ 0,5 N
Keying proposals at www.lumberg.com 

Connectable conductors for IDT area

Construction discrete conductor, notched flat cable 2.5 mm
Section min. 0,14 mm²
Section max. 0,38 mm²
Insulation diameter ≤ 1,6 mm
Approved cables at www.lumberg.com 

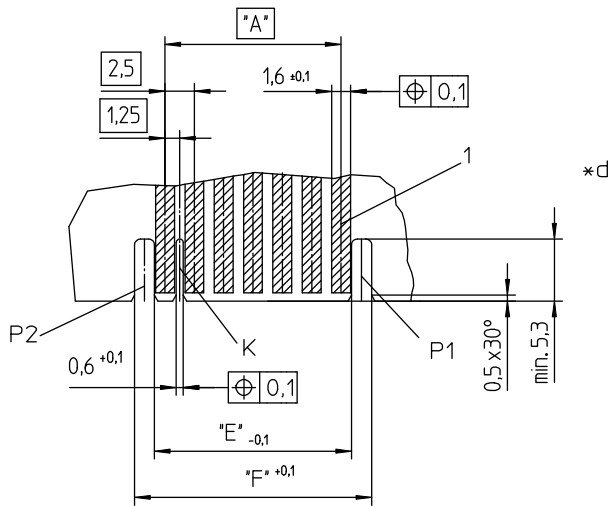
Electrical data (at T_{amb} 20 °C)

Contact resistance ≤ 5 mΩ
Rated current 4 A (T_{amb} 60 °C)
2 A (T_{amb} 100 °C)
Rated voltage 32 V AC
Material group IIIa (IEC)/2 (UL) (CTI ≥ 250)
Creepage distance 0,6 mm
Clearance 0,6 mm
Insulation resistance > 1 GΩ



35

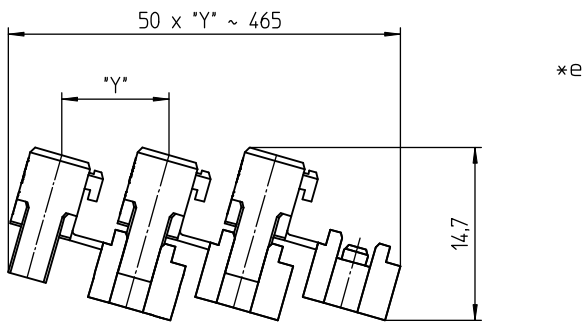
3510



Associated products

Harnessing equipment

☑ HA3...e	☑ HA35e	☑ HA35e-CA
☑ HA35e-DC	☑ HA35e-RK	☑ HA35f
☑ HA35f-CA-KC	☑ HA35f-CA-KC-KT	☑ HA35f-CA-KC-KT-HV
☑ HA35f-HV	☑ HA35f-KC	☑ HA35f-KC-KT
☑ HA35f-RK	☑ HA35f-RK-CA	☑ HA35f-RK-CA-KC
☑ HA35f-RK-CA-KC-KT	☑ HA35f-RK-CA-KC-KT-HV	☑ HZ-M35
☑ HZ35	☑ HZ35-K	☑ KHP35
☑ VARICON 7000	☑ VARICON 7000-DC	☑ VARICON 7000-DC-CR
☑ VARICON 7000-Eco	☑ VARICON 7000-Eco-CR	☑ VARICON 7000-Inline
☑ VARICON 7000-Inline-CR	☑ VARICON 7000-RD	☑ VARICON 7000-RD-CR
☑ VARICON 7000-Unica-35		



- *a terminated connector
- *b color marking:
3510 (M...)S01 blue
3510 (M...)S02 green
3510 (M...)S03 brown
- *c K = keying (alternatively)
P1, P2 = positioning (alternatively)
- *d example for printed circuit board layout
- *e chaining of the component parts (state of delivery)

35

3510

Designation	Pole Number	PU (Pieces)	MDQ (Pieces)	Dimensions				
				A (mm)	B (mm)	C (mm)	E (mm)	F (mm)
3510 02	2	4950	4950	2.5	7.4	4.5	4.45	7.6
3510 03	3	3600	3600	5.0	9.9	7.0	6.95	10.1
3510 04	4	2700	2700	7.5	12.4	9.5	9.45	12.6
3510 05	5	2250	2250	10.0	14.9	12.0	11.95	15.1
3510 06	6	1800	3600	12.5	17.4	14.5	14.45	17.6
3510 07	7	1800	3600	15.0	19.9	17.0	16.95	20.1
3510 08	8	1350	2700	17.5	22.4	19.5	19.45	22.6
3510 09	9	1350	2700	20.0	24.9	22.0	21.95	25.1
3510 10	10	1350	2700	22.5	27.4	24.5	24.45	27.6
3510 11	11	900	2700	25.0	29.9	27.0	26.95	30.1
3510 12	12	900	2700	27.5	32.4	29.5	29.45	32.6
3510 13	13	900	2700	30.0	34.9	32.0	31.95	35.1
3510 14	14	900	2700	32.5	37.4	34.5	34.45	37.6
3510 15	15	900	2700	35.0	39.9	37.0	36.95	40.1
3510 16	16	450	2700	37.5	42.4	39.5	39.45	42.6
3510 17	17	450	2700	40.0	44.9	42.0	41.95	45.1
3510 18	18	450	2700	42.5	47.4	44.5	44.45	47.6
3510 19	19	450	2700	45.0	49.9	47.0	46.95	50.1
3510 20	20	450	2700	47.5	52.4	49.5	49.45	52.6

Designation to be completed by further details (e.g. for keying, color or material options).

Packaging:

chained, in a cardboard box