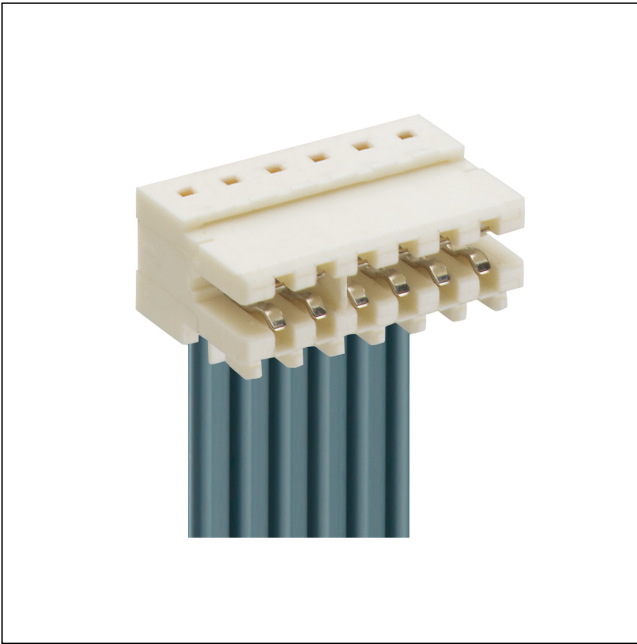



35

3510-2

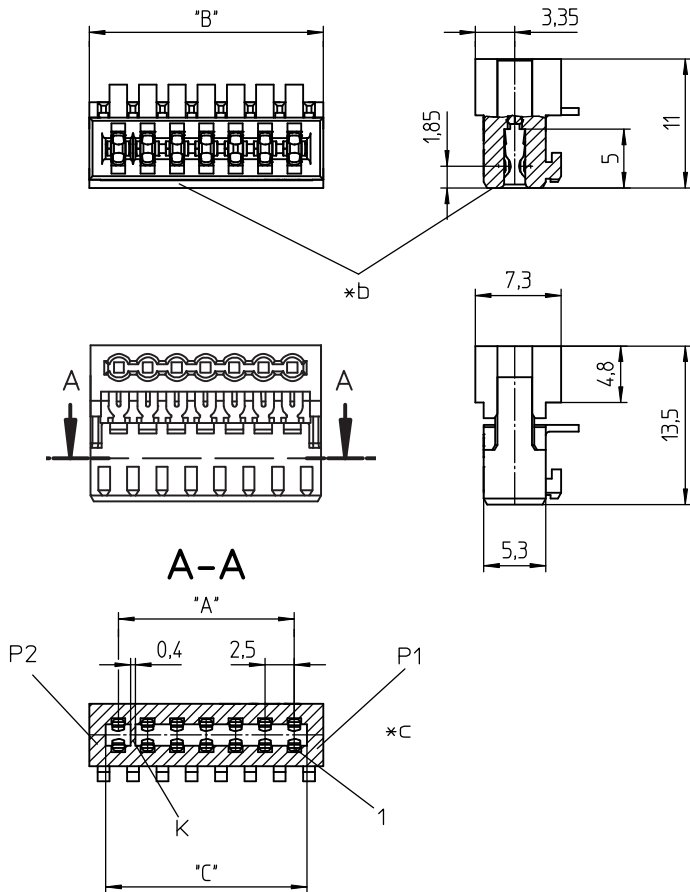
RAST 2.5 connectors, pitch 2.5/5.0 mm



RAST 2.5 connector for direct mating, insulation displacement technology (IDT), alternatively with or without keying rib and closed sides, for ribbon cable contact pitch 2.5 mm

Approvals: 

35 3510-2



Environmental conditions

Temperature range -40 °C/+130 °C¹

¹ upper limit temperature (insulating body) RTI (electrical) of the UL Yellow Card


Materials

Insulating body PBT, V-0 according to UL94 – 3510-2 (S...V...)
PA, V-2 according to UL94 – 3510-2 M12(S...V...)¹


Contact spring CuSn, tin-plated – 3510-2 (M...S...)
CuSn, tin-plated (Sn/Ag), 2-9 poles – 3510-2 (M...S...)V03
CuSn, pre-nickel and gold-plated – 3510-2 (M...S...)V102

¹ M12: component glow wire resistant (GWT 750 °C), testing acc. to IEC 60695-2-11, assessment acc. to IEC 60335-1 (flame < 2 s)

Mechanical data

Mating with printed circuit board 1.5 ± 0.14 mm
Insertion force/contact ≤ 4,0 N
Withdrawal force/contact ≥ 0,5 N
Keying proposals at www.lumberg.com 

Connectable conductors for IDT area

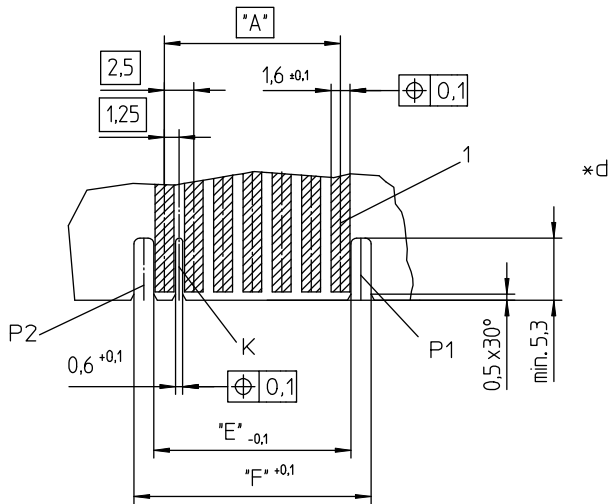
Construction discrete conductor, flat cable 2.5 mm
Section min. 0,14 mm²
Section max. 0,38 mm²
Insulation diameter ≤ 1,6 mm
Approved cables at www.lumberg.com 

Electrical data (at T_{amb} 20 °C)

Contact resistance ≤ 5 mΩ
Rated current 4 A (T_{amb} 60 °C)
2 A (T_{amb} 100 °C)
Rated voltage 32 V AC
Material group IIIa (IEC)/2 (UL) (CTI ≥ 250)
Creepage distance 0,6 mm
Clearance 0,6 mm
Insulation resistance > 1 GΩ

35

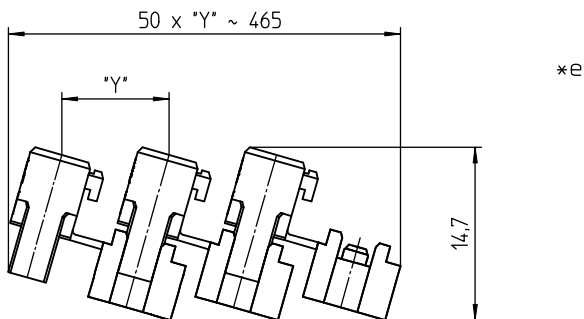
3510-2



Associated products

Harnessing equipment

<input type="checkbox"/> HA3...e	<input type="checkbox"/> HA35e	<input type="checkbox"/> HA35e-CA
<input type="checkbox"/> HA35e-RK	<input type="checkbox"/> HA35f	<input type="checkbox"/> HA35f-CA
<input type="checkbox"/> HA35f-CA-KC	<input type="checkbox"/> HA35f-CA-KC-KT	<input type="checkbox"/> HA35f-CA-KC-KT-HV
<input type="checkbox"/> HA35f-HV	<input type="checkbox"/> HA35f-KC	<input type="checkbox"/> HA35f-KC-KT
<input type="checkbox"/> HA35f-RK	<input type="checkbox"/> HA35f-RK-CA	<input type="checkbox"/> HA35f-RK-CA-KC
<input type="checkbox"/> HA35f-RK-CA-KC-KT	<input type="checkbox"/> HA35f-RK-CA-KC-KT-HV	<input type="checkbox"/> HZ-M35
<input type="checkbox"/> HZ35	<input type="checkbox"/> HZ35-K	<input type="checkbox"/> KHP35
<input type="checkbox"/> VARICON 7000	<input type="checkbox"/> VARICON 7000-DC	<input type="checkbox"/> VARICON 7000-DC-CR
<input type="checkbox"/> VARICON 7000-Eco	<input type="checkbox"/> VARICON 7000-Eco-CR	<input type="checkbox"/> VARICON 7000-Inline
<input type="checkbox"/> VARICON 7000-Inline-CR	<input type="checkbox"/> VARICON 7000-RD	<input type="checkbox"/> VARICON 7000-RD-CR
<input type="checkbox"/> VARICON 7000-Unica-35		



- *a terminated connector
- *b color marking:
3510-2 (M...)S01 blue
3510-2 (M...)S02 green
3510-2 (M...)S03 brown
- *c K = keying (alternatively)
P1, P2 = positioning (alternatively)
- *d example for printed circuit board layout
- *e chaining of the component parts (state of delivery)

35

3510-2

Designation	Pole Number	PU (Pieces)	MDQ (Pieces)	Dimensions				
				A (mm)	B (mm)	C (mm)	E (mm)	F (mm)
3510-2 02	2	4950	4950	2.5	7.4	4.5	4.45	7.6
3510-2 03	3	3600	7200	5.0	9.9	7.0	6.95	10.1
3510-2 04	4	2700	5400	7.5	12.4	9.5	9.45	12.6
3510-2 05	5	2250	4500	10.0	14.9	12.0	11.95	15.1
3510-2 06	6	1800	3600	12.5	17.4	14.5	14.45	17.6
3510-2 07	7	1800	3600	15.0	19.9	17.0	16.95	20.1
3510-2 08	8	1350	2700	17.5	22.4	19.5	19.45	22.6
3510-2 09	9	1350	2700	20.0	24.9	22.0	21.95	25.1
3510-2 10	10	1350	2700	22.5	27.4	24.5	24.45	27.6
3510-2 11	11	900	2700	25.0	29.9	27.0	26.95	30.1
3510-2 12	12	900	2700	27.5	32.4	29.5	29.45	32.6
3510-2 13	13	900	2700	30.0	34.9	32.0	31.95	35.1
3510-2 14	14	900	2700	32.5	37.4	34.5	34.45	37.6
3510-2 15	15	900	2700	35.0	39.9	37.0	36.95	40.1
3510-2 16	16	450	2700	37.5	42.4	39.5	39.45	42.6
3510-2 17	17	450	2700	40.0	44.9	42.0	41.95	45.1
3510-2 18	18	450	2700	42.5	47.4	44.5	44.45	47.6
3510-2 19	19	450	2700	45.0	49.9	47.0	46.95	50.1
3510-2 20	20	450	2700	47.5	52.4	49.5	49.45	52.6

Designation to be completed by further details (e.g. for keying, color or material options).

Packaging:

chained, in a cardboard box