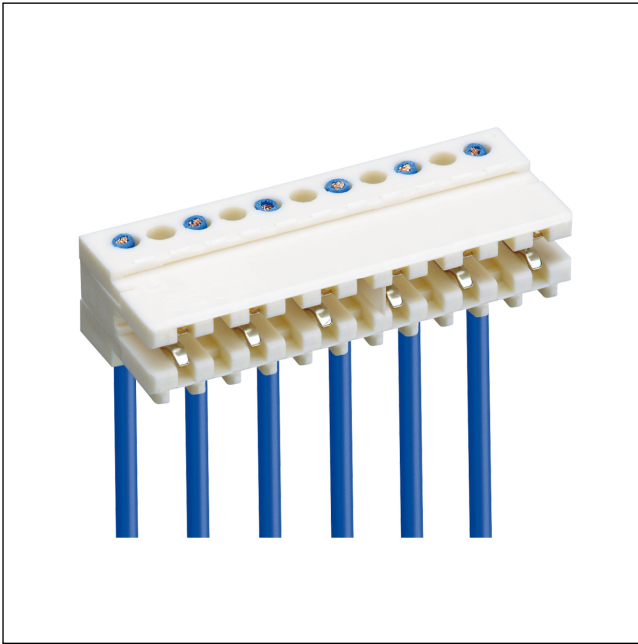


35

3511

RAST 2.5 connectors, pitch 2.5/5.0 mm



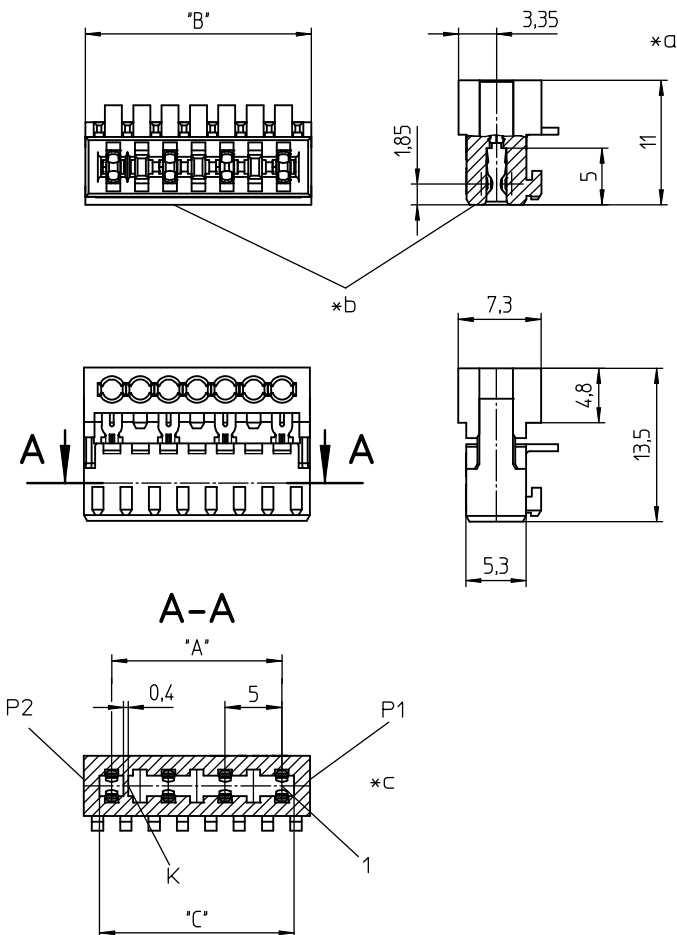
RAST 2.5 connector for direct mating, insulation displacement technology (IDT), alternatively with or without keying rib and closed sides, for individual conductors, daisy chain possible, consecutive placement without loss of pitch
contact pitch 5.0 mm

Approvals:



35

3511



Environmental conditions


Temperature range	-40 °C/+130 °C ¹
¹ upper limit temperature (insulating body) RTI (electrical) of the UL Yellow Card	

Materials


Insulating body	PBT, V-0 according to UL94 – 3511 (S...V...) PA, V-2 according to UL94 – 3511 M12(S...V...) ¹
Contact spring	CuSn, tin-plated – 3511 (M...S...) CuSn, tin-plated (Sn/Ag), 2-9 poles – 3511 (M...S...)V03 CuSn, pre-nickel and gold-plated – 3511 (M...S...)V102

¹ M12: component glow wire resistant (GWT 750 °C), testing acc. to IEC 60695-2-11, assessment acc. to IEC 60335-1 (flame < 2 s)

Mechanical data

Mating with	printed circuit board 1.5 ± 0.14 mm
Insertion force/contact	≤ 4,0 N
Withdrawal force/contact	≥ 0,5 N
Keying proposals	at www.lumberg.com 

Connectable conductors for IDT area

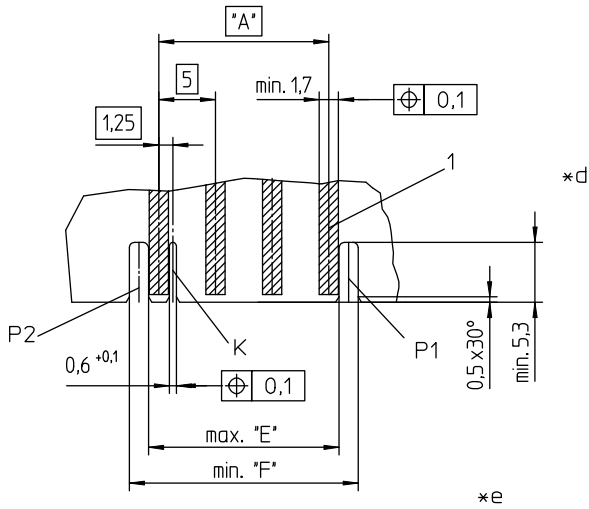
Construction	discrete conductor, notched flat cable 2.5 mm
Section min.	0,14 mm ²
Section max.	0,38 mm ²
Insulation diameter	≤ 1,6 mm
Approved cables	at www.lumberg.com 

Electrical data (at T_{amb} 20 °C)

Contact resistance	≤ 5 mΩ
Rated current	4 A (T _{amb} 60 °C) 2 A (T _{amb} 100 °C)
Rated voltage	250 V AC
Material group	IIIa (IEC)/2 (UL) (CTI ≥ 250)
Creepage distance	3,1 mm
Clearance	3,1 mm
Insulation resistance	> 1 GΩ

35

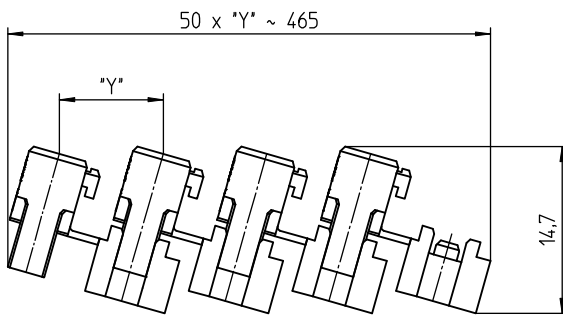
3511



Associated products

Harnessing equipment

☒ HA3...e	☒ HA35e	☒ HA35e-CA
☒ HA35e-DC	☒ HA35e-RK	☒ HA35f
☒ HA35f-CA	☒ HA35f-CA-KC	☒ HA35f-CA-KC-KT
☒ HA35f-CA-KC-KT-HV	☒ HA35f-HV	☒ HA35f-KC
☒ HA35f-KC-KT	☒ HA35f-RK	☒ HA35f-RK-CA
☒ HA35f-RK-CA-KC	☒ HA35f-RK-CA-KC-KT	☒ HA35f-RK-CA-KC-KT-HV
☒ HZ-M35	☒ HZ35	☒ HZ35-K
☒ KHP35	☒ VARICON 7000	☒ VARICON 7000-DC
☒ VARICON 7000-DC-CR	☒ VARICON 7000-Eco	☒ VARICON 7000-Eco-CR
☒ VARICON 7000-Inline	☒ VARICON 7000-Inline-CR	☒ VARICON 7000-RD
☒ VARICON 7000-RD-Unica-35		



- *a terminated connector
- *b color marking:
3511 (M..)S01 blue
3511 (M..)S02 green
3511 (M..)S03 brown
- *c K = keying (alternatively)
P1, P2 = positioning (alternatively)
- *d example for printed circuit board layout
- *e chaining of the component parts (state of delivery)

35

3511

Designation	Pole Number	PU (Pieces)	MDQ (Pieces)	Dimensions				
				A (mm)	B (mm)	C (mm)	E (mm)	F (mm)
3511 02	2	3600	3600	5.0	9.9	7.0	6.95	10.1
3511 03	3	2250	2250	10.0	14.9	12.0	11.95	15.1
3511 04	4	1800	3600	15.0	19.9	17.0	16.95	20.1
3511 05	5	1350	2700	20.0	24.9	22.0	21.95	25.1
3511 06	6	900	2700	25.0	29.9	27.0	26.95	30.1
3511 07	7	900	2700	30.0	34.9	32.0	31.95	35.1
3511 08	8	900	2700	35.0	39.9	37.0	36.95	40.1
3511 09	9	450	2700	40.0	44.9	42.0	41.95	45.1
3511 10	10	450	2700	45.0	49.9	47.0	46.95	50.1

Designation to be completed by further details (e.g. for keying, color or material options).

Packaging:

chained, in a cardboard box