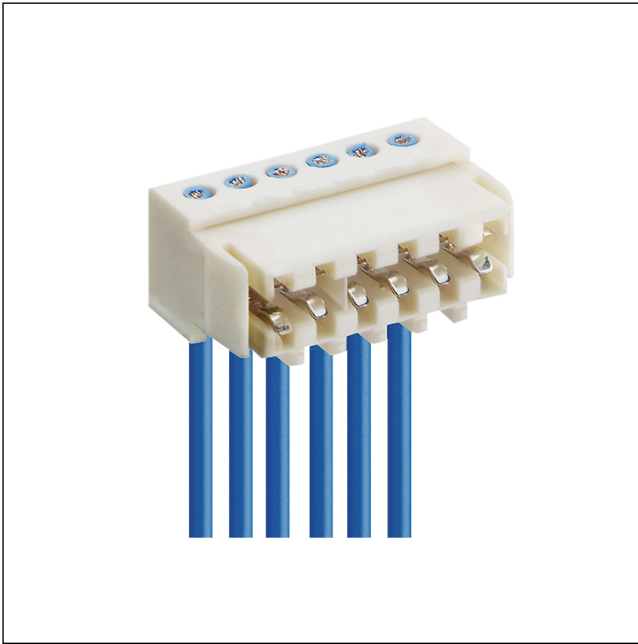


35

3512

RAST 2.5 connectors, pitch 2.5/5.0 mm



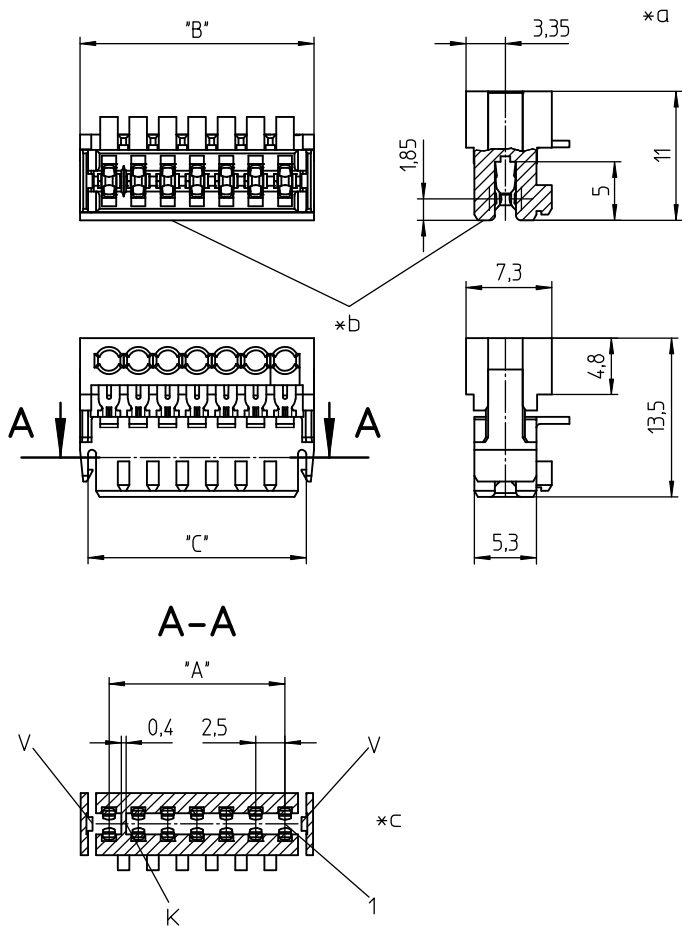
RAST 2.5 connector for direct mating, insulation displacement technology (IDT), with locking on printed circuit board by means of lateral locking hooks, with keying rib, for individual conductors, daisy chain possible contact pitch 2.5 mm

Approvals:



35

3512



Environmental conditions

Temperature range -40 °C/+130 °C¹

¹ upper limit temperature (insulating body) RTI (electrical) of the UL Yellow Card

Materials

Insulating body PBT, V-0 according to UL94 – 3512 (S...V...)
PA, V-2 according to UL94 – 3512 M12(S...V...)¹

Contact spring CuSn, tin-plated – 3512 (M...S...)
CuSn, tin-plated (Sn/Ag), 2-9 poles – 3512 (M...S...)V03
CuSn, pre-nickel and gold-plated – 3512 (M...S...)V102

¹ M12: component glow wire resistant (GWT 750 °C), testing acc. to IEC 60695-2-11, assessment acc. to IEC 60335-1 (flame < 2 s)

Mechanical data

Mating with printed circuit board 1.5 ± 0.14 mm

Insertion force/contact ≤ 4,0 N¹

Withdrawal force/contact ≥ 0,5 N¹

Retaining force/locking ≥ 17 N²

Keying proposals at www.lumberg.com 

¹ measured with a polished steel pin, nominal thickness 1.5 mm

² measured with a polished steel gauge, nominal thickness 1.5 mm

Connectable conductors for IDT area

Construction discrete conductor, notched flat cable 2.5 mm

Section min. 0,14 mm²

Section max. 0,38 mm²

Insulation diameter ≤ 1,6 mm

Approved cables at www.lumberg.com 

Electrical data (at T_{amb} 20 °C)

Contact resistance ≤ 5 mΩ

Rated current 4 A (T_{amb} 60 °C)
2 A (T_{amb} 100 °C)

Rated voltage 32 V AC

Material group IIIa (IEC)/2 (UL) (CTI ≥ 250)

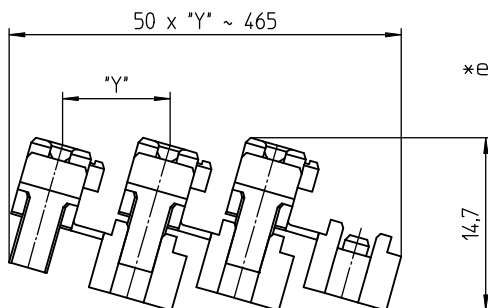
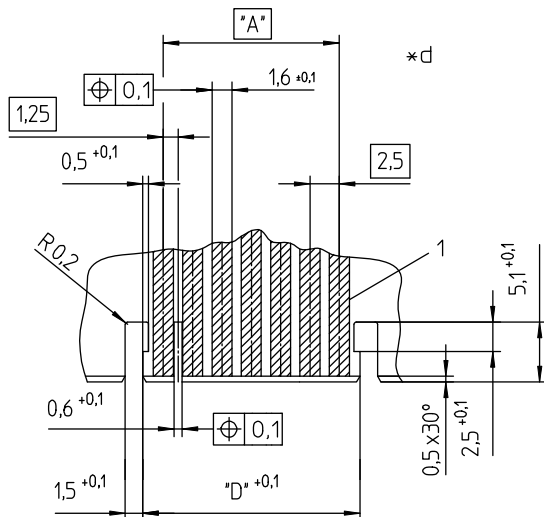
Creepage distance 0,6 mm

Clearance 0,6 mm

Insulation resistance > 1 GΩ

35

3512



- *a terminated connector
- *b color marking:
3512 (M..)S01 blue
3512 (M..)S02 green
3512 (M..)S03 brown
- *c K = keying (optional)
V = lock
- *d example for printed circuit board layout
- *e chaining of the component parts (state of delivery)

Associated products

Harnessing equipment

<input type="checkbox"/> HA3...e	<input type="checkbox"/> HA35e	<input type="checkbox"/> HA35e-CA
<input type="checkbox"/> HA35e-DC	<input type="checkbox"/> HA35e-RK	<input type="checkbox"/> HA35f
<input type="checkbox"/> HA35f-CA	<input type="checkbox"/> HA35f-CA-KC	<input type="checkbox"/> HA35f-CA-KC-KT
<input type="checkbox"/> HA35f-CA-KC-KT-HV	<input type="checkbox"/> HA35f-HV	<input type="checkbox"/> HA35f-KC
<input type="checkbox"/> HA35f-KC-KT	<input type="checkbox"/> HA35f-RK	<input type="checkbox"/> HA35f-RK-CA
<input type="checkbox"/> HA35f-RK-CA-KC	<input type="checkbox"/> HA35f-RK-CA-KC-KT	<input type="checkbox"/> HA35f-RK-CA-KC-KT-HV
<input type="checkbox"/> HZ-M35	<input type="checkbox"/> HZ35	<input type="checkbox"/> HZ35-K
<input type="checkbox"/> KHP35	<input type="checkbox"/> VARICON 7000	<input type="checkbox"/> VARICON 7000-DC
<input type="checkbox"/> VARICON 7000-DC-CR	<input type="checkbox"/> VARICON 7000-Eco	<input type="checkbox"/> VARICON 7000-Eco-CR
<input type="checkbox"/> VARICON 7000-Inline	<input type="checkbox"/> VARICON 7000-Inline-CR	<input type="checkbox"/> VARICON 7000-RD
<input type="checkbox"/> VARICON 7000-RD-CR	<input type="checkbox"/> VARICON 7000-Unica-35	

Designation	Pole Number	PU (Pieces)	MDQ (Pieces)	Dimensions			
				A (mm)	B (mm)	C (mm)	D (mm)
3512 02	2	4950	4950	2.5	7.4	6.1	6.0
3512 03	3	3600	3600	5.0	9.9	8.6	8.5
3512 04	4	2700	2700	7.5	12.4	11.1	11.0
3512 05	5	2250	2250	10.0	14.9	13.6	13.5
3512 06	6	1800	3600	12.5	17.4	16.1	16.0
3512 07	7	1800	3600	15.0	19.9	18.6	18.5
3512 08	8	1350	2700	17.5	22.4	21.1	21.0
3512 09	9	1350	2700	20.0	24.9	23.6	23.5
3512 10	10	1350	2700	22.5	27.4	26.1	26.0
3512 11	11	900	2700	25.0	29.9	28.6	28.5
3512 12	12	900	2700	27.5	32.4	31.1	31.0
3512 13	13	900	2700	30.0	34.9	33.6	33.5
3512 14	14	900	2700	32.5	37.4	36.1	36.0
3512 15	15	900	2700	35.0	39.9	38.6	38.5
3512 16	16	450	2700	37.5	42.4	41.1	41.0
3512 17	17	450	2700	40.0	44.9	43.6	43.5
3512 18	18	450	2700	42.5	47.4	46.1	46.0
3512 19	19	450	2700	45.0	49.9	48.6	48.5
3512 20	20	450	2700	47.5	52.4	51.1	51.0

Designation to be completed by further details (e.g. for keying, color or material options).

Packaging:

chained, in a cardboard box