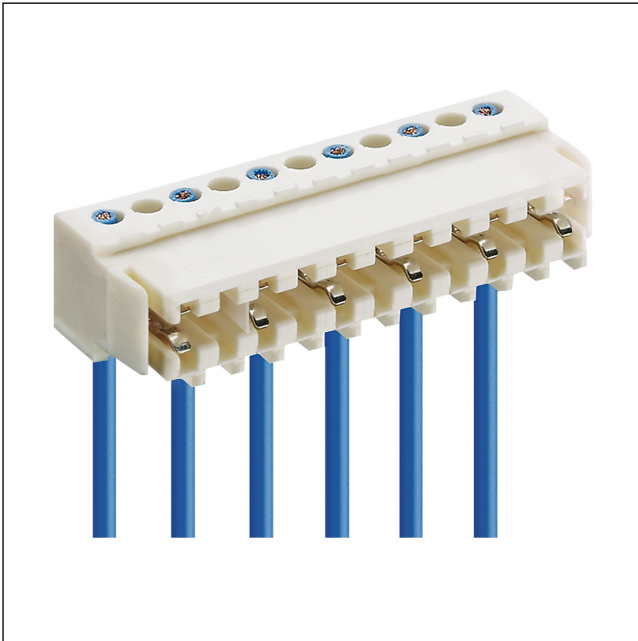


35

3513

RAST 2.5 connectors, pitch 2.5/5.0 mm



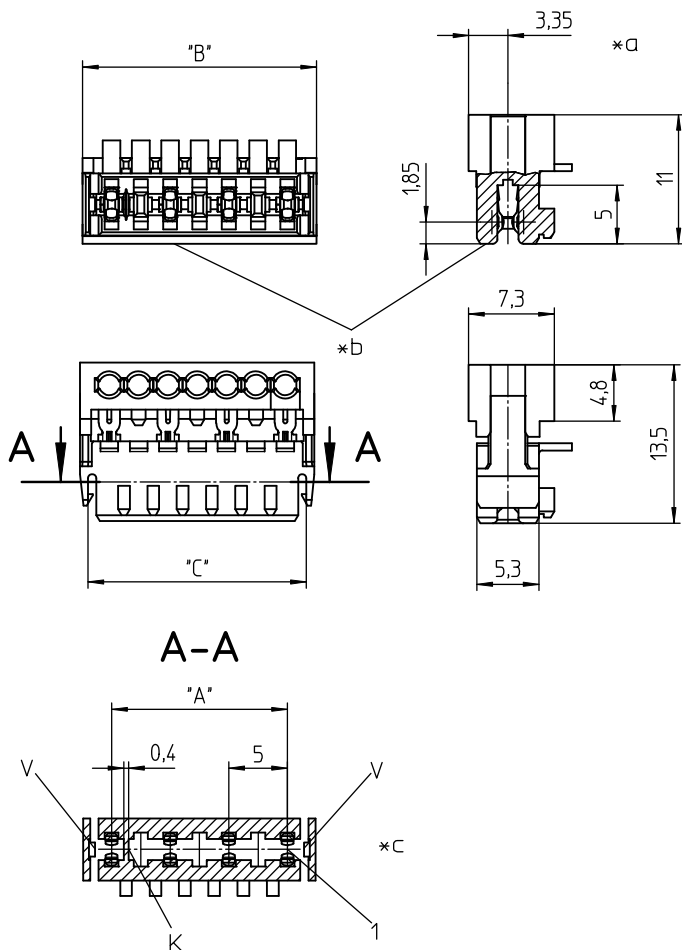
RAST 2.5 connector for direct mating, insulation displacement technology (IDT), with locking on printed circuit board by means of lateral locking hooks, with keying rib, for individual conductors, daisy chain possible contact pitch 5.0 mm

Approvals:



35

3513



Environmental conditions

Temperature range -40 °C/+130 °C¹

¹ upper limit temperature (insulating body) RTI (electrical) of the UL Yellow Card

Materials

Insulating body PBT, V-0 according to UL94 – 3513 (S...V...)
PA, V-2 according to UL94 – 3513 M12(S...V...)¹

Contact spring CuSn, tin-plated – 3513 (M...S...)
CuSn, tin-plated (Sn/Ag), 2-9 poles – 3513 (M...S...)/V03
CuSn, pre-nickel and gold-plated – 3513 (M...S...)/V102

¹ M12: component glow wire resistant (GWT 750 °C), testing acc. to IEC 60695-2-11, assessment acc. to IEC 60335-1 (flame < 2 s)

Mechanical data

Mating with printed circuit board 1.5 ± 0.14 mm

Insertion force/contact ≤ 4,0 N¹

Withdrawal force/contact ≥ 0,5 N¹

Retaining force/locking ≥ 17 N²

Keying proposals at www.lumberg.com 

¹ measured with a polished steel pin, nominal thickness 1.5 mm

² measured with a polished steel gauge, nominal thickness 1.5 mm

Connectable conductors for IDT area

Construction discrete conductor, notched flat cable 2.5 mm

Section min. 0,14 mm²

Section max. 0,38 mm²

Insulation diameter ≤ 1,6 mm

Approved cables at www.lumberg.com 

Electrical data (at T_{amb} 20 °C)

Contact resistance ≤ 5 mΩ

Rated current 4 A (T_{amb} 60 °C)
2 A (T_{amb} 100 °C)

Rated voltage 250 V AC

Material group IIIa (IEC)/2 (UL) (CTI ≥ 250)

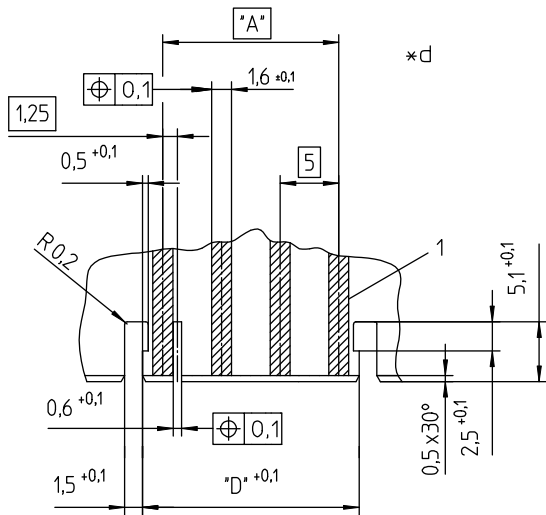
Creepage distance 3,1 mm

Clearance 3,1 mm

Insulation resistance > 1 GΩ

35

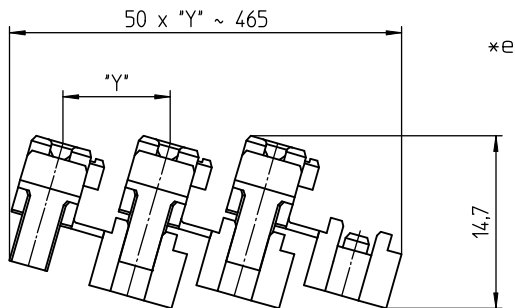
3513



Associated products

Harnessing equipment

☒ HA3...e	☒ HA35e	☒ HA35e-CA
☒ HA35e-DC	☒ HA35e-RK	☒ HA35f
☒ HA35f-CA	☒ HA35f-CA-KC	☒ HA35f-CA-KC-KT
☒ HA35f-CA-KC-KT-HV	☒ HA35f-HV	☒ HA35f-KC
☒ HA35f-KC-KT	☒ HA35f-RK	☒ HA35f-RK-CA
☒ HA35f-RK-CA-KC	☒ HA35f-RK-CA-KC-KT	☒ HA35f-RK-CA-KC-KT-HV
☒ HZ-M35	☒ HZ35	☒ HZ35-K
☒ KHP35	☒ VARICON 7000	☒ VARICON 7000-DC
☒ VARICON 7000-DC-CR	☒ VARICON 7000-Eco	☒ VARICON 7000-Eco-CR
☒ VARICON 7000-Inline	☒ VARICON 7000-Inline-CR	☒ VARICON 7000-RD
☒ VARICON 7000-RD-CR	☒ VARICON 7000-Unica-35	



- *a terminated connector
- *b color marking:
3513 (M...)S01 blue
3513 (M...)S02 green
3513 (M...)S03 brown
- *c K = keying (optional)
V = lock
- *d example for printed circuit board layout
- *e chaining of the component parts (state of delivery)

35

3513

Designation	Pole Number	PU (Pieces)	MDQ (Pieces)	Dimensions			
				A (mm)	B (mm)	C (mm)	D (mm)
3513 02	2	3600	3600	5.0	9.9	8.6	8.5
3513 03	3	2250	2250	10.0	14.9	13.6	13.5
3513 04	4	1800	3600	15.0	19.9	18.6	18.5
3513 05	5	1350	2700	20.0	24.9	23.6	23.5
3513 06	6	900	2700	25.0	29.9	28.6	28.5
3513 07	7	900	2700	30.0	34.9	33.6	33.5
3513 08	8	900	2700	35.0	39.9	38.6	38.5
3513 09	9	450	2700	40.0	44.9	43.6	43.5
3513 10	10	450	2700	45.0	49.9	48.6	48.5

Designation to be completed by further details (e.g. for keying, color or material options).

Packaging:

chained, in a cardboard box