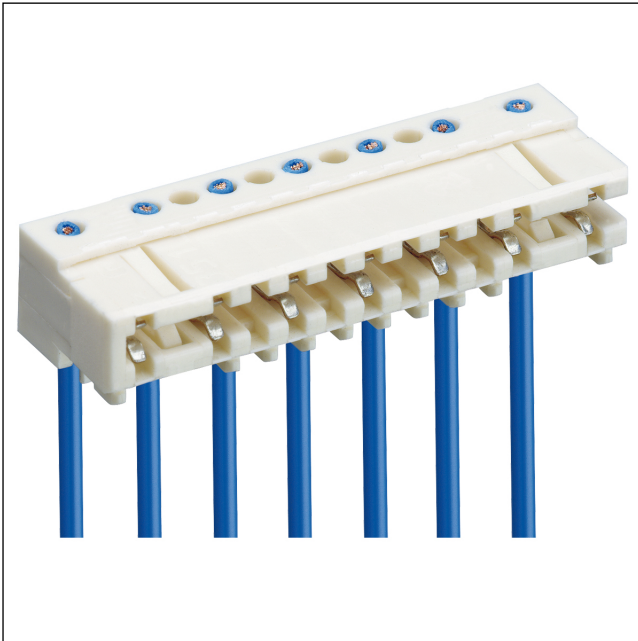


35

3516

RAST 2.5 connectors, pitch 2.5/5.0 mm



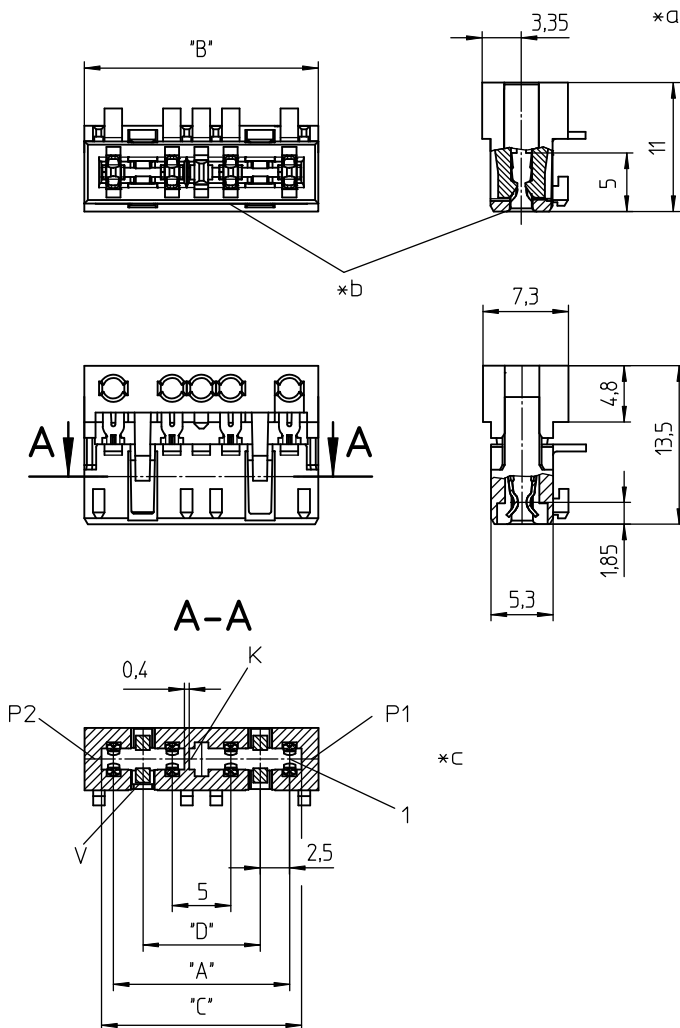
RAST 2.5 connector for direct mating, insulation displacement technology (IDT), with locking on printed circuit board by means of locking hooks, alternatively with or without keying rib and closed sides, for individual conductors, daisy chain possible, consecutive placement without loss of pitch
contact pitch 5.0 mm

Approvals:



35

3516



Environmental conditions

Temperature range -40 °C/+130 °C¹

¹ upper limit temperature (insulating body) RTI (electrical) of the UL Yellow Card

Materials

Insulating body PBT, V-0 according to UL94 – 3516 (S...V...)
PA, V-2 according to UL94 – 3516 M12(S...V...)¹

Contact spring CuSn, tin-plated – 3516 (M...S...)
CuSn, tin-plated (Sn/Ag), 2-9 poles – 3516 (M...S...)V03
CuSn, pre-nickel and gold-plated – 3516 (M...S...)V102

¹ M12: component glow wire resistant (GWT 750 °C), testing acc. to IEC 60695-2-11, assessment acc. to IEC 60335-1 (flame < 2 s)

Mechanical data

Mating with printed circuit board 1.5 ± 0.14 mm

Insertion force/contact ≤ 4,0 N¹

Withdrawal force/contact ≥ 0,5 N¹

Retaining force/locking ≥ 6,0 N²

Keying proposals at www.lumberg.com 

¹ measured with a polished steel pin, nominal thickness 1.5 mm

² measured with a polished steel gauge, nominal thickness 1.5 mm

Connectable conductors for IDT area

Construction discrete conductor, notched flat cable 2.5 mm

Section min. 0,14 mm²

Section max. 0,38 mm²

Insulation diameter ≤ 1,6 mm

Approved cables at www.lumberg.com 

Electrical data (at T_{amb} 20 °C)

Contact resistance ≤ 5 mΩ

Rated current 4 A (T_{amb} 60 °C)
2 A (T_{amb} 100 °C)

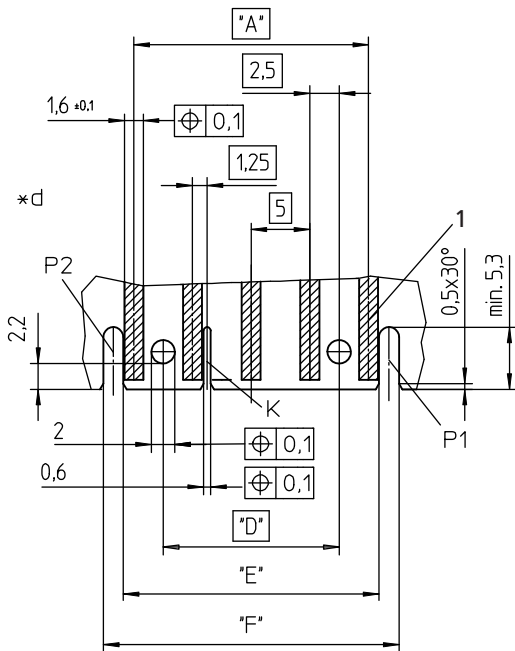
Rated voltage 250 V AC

Material group IIIa (IEC)/2 (UL) (CTI ≥ 250)

Creepage distance 3,1 mm

Clearance 3,1 mm

Insulation resistance > 1 GΩ



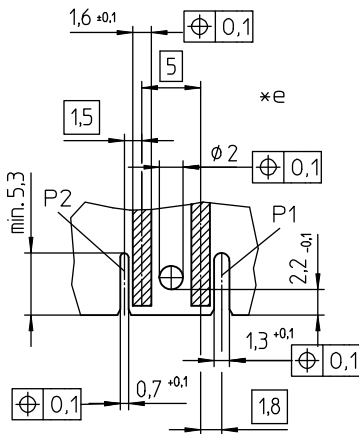
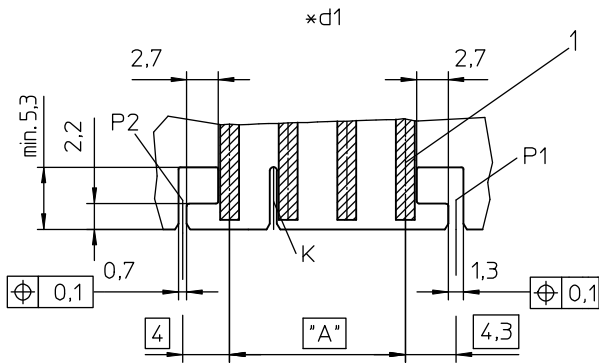
Associated products

Harnessing equipment

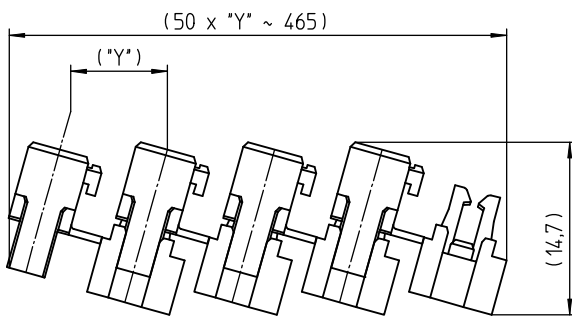
☑ HA3...e	☑ HA35e	☑ HA35e-CA
☑ HA35e-DC	☑ HA35e-RK	☑ HA35f
☑ HA35f-CA	☑ HA35f-CA-KC	☑ HA35f-CA-KC-KT
☑ HA35f-CA-KC-KT-HV	☑ HA35f-HV	☑ HA35f-KC
☑ HA35f-KC-KT	☑ HA35f-RK	☑ HA35f-RK-CA
☑ HA35f-RK-CA-KC	☑ HA35f-RK-CA-KC-KT	☑ HA35f-RK-CA-KC-KT-HV
☑ HZ-M35	☑ HZ35	☑ HZ35-K
☑ KHP35	☑ VARICON 7000	☑ VARICON 7000-DC
☑ VARICON 7000-DC-CR	☑ VARICON 7000-Eco	☑ VARICON 7000-Eco-CR
☑ VARICON 7000-Inline	☑ VARICON 7000-Inline-CR	☑ VARICON 7000-RD
☑ VARICON 7000-RD-CR	☑ VARICON 7000-Unica-35	

35

3516



$\times f$



35

3516

-
- *a terminated connector
 - *b color marking:
3516 (M..)S01 blue
3516 (M..)S02 green
3516 (M..)S03 brown
 - *c K = keying (alternatively)
P1, P2 = positioning (alternatively)
V = lock (1 up to 6 poles, 2 from 7 poles on)
 - *d example for printed circuit board layout
 - *d1 example for printed circuit board layout for version with
outward locking hooks and thin sidewall
 - *e example for printed circuit board layout for 2 pole version
 - *f chaining of the component parts (state of delivery)

35

3516

Designation	Pole Number	PU (Pieces)	MDQ (Pieces)	Dimensions					
				A (mm)	B (mm)	C (mm)	D (mm)	E (mm)	F (mm)
3516 02	2	3600	3600	5.0	9.9	7.0	-	6.95	10.1
3516 03	3	2250	2250	10.0	14.9	12.0	-	11.95	15.1
3516 04	4	1800	3600	15.0	19.9	17.0	-	16.95	20.1
3516 05	5	1350	2700	20.0	24.9	22.0	15.0	21.95	25.1
3516 06	6	900	2700	25.0	29.9	27.0	20.0	26.95	30.1
3516 07	7	900	2700	30.0	34.9	32.0	25.0	31.95	35.1
3516 08	8	900	2700	35.0	39.9	37.0	30.0	36.95	40.1
3516 09	9	450	2700	40.0	44.9	42.0	35.0	41.95	45.1
3516 10	10	450	2700	45.0	49.9	47.0	40.0	46.95	50.1

Designation to be completed by further details (e.g. for keying, color or material options).

Packaging:

chained, in a cardboard box