

35

3517

RAST 2.5 connectors, pitch 2.5/5.0 mm



RAST 2.5 connector for direct mating, insulation displacement technology (IDT), with locking on printed circuit board by means of locking toes, alternatively with or without keying rib and closed sides, for individual conductors, daisy chain possible
contact pitch 2.5 mm

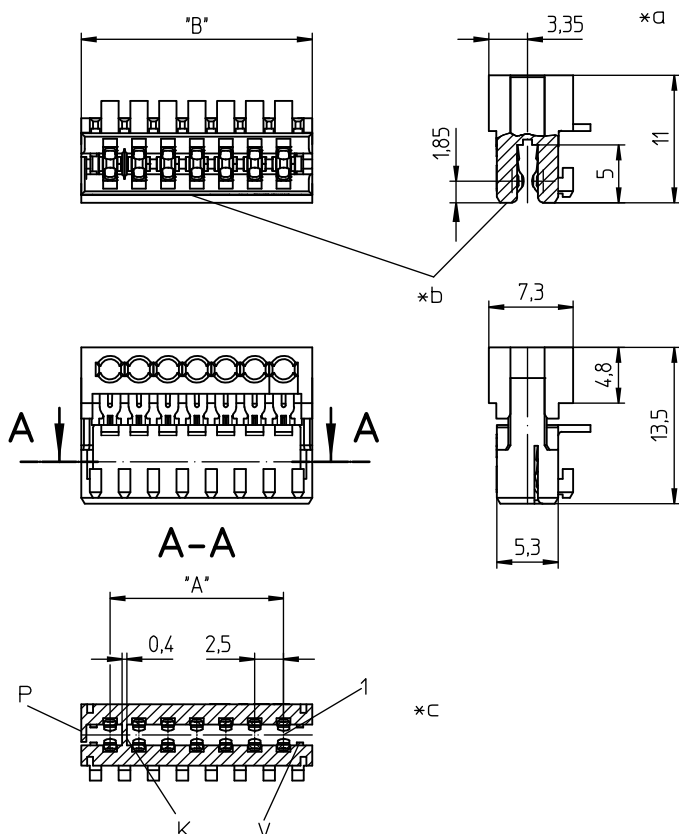
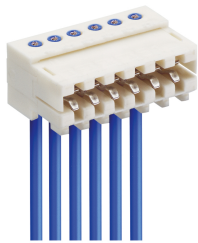
Approvals:



35

3517

keying example with closed sides



Environmental conditions

Temperature range -40 °C/+130 °C¹

¹ upper limit temperature (insulating body) RTI (electrical) of the UL Yellow Card


Materials

Insulating body PBT, V-0 according to UL94 – 3517 (S...V...)
PA, V-2 according to UL94 – 3517 M12(S...V...)¹

Contact spring CuSn, tin-plated – 3517 (M...S...)
CuSn, tin-plated (Sn/Ag), 2-9 poles – 3517 (M...S...)/V03
CuSn, pre-nickel and gold-plated – 3517 (M...S...)/V102

¹ M12: component glow wire resistant (GWT 750 °C), testing acc. to IEC 60695-2-11, assessment acc. to IEC 60335-1 (flame < 2 s)


Mechanical data

Mating with printed circuit board 1.5 ± 0.14 mm
Insertion force/contact ≤ 4,0 N¹
Withdrawal force/contact ≥ 0,5 N¹
Retaining force/locking ≥ 6,0 N²
Keying proposals at www.lumberg.com 

¹ measured with a polished steel pin, nominal thickness 1.5 mm

² measured with a polished steel gauge, nominal thickness 1.5 mm

Connectable conductors for IDT area

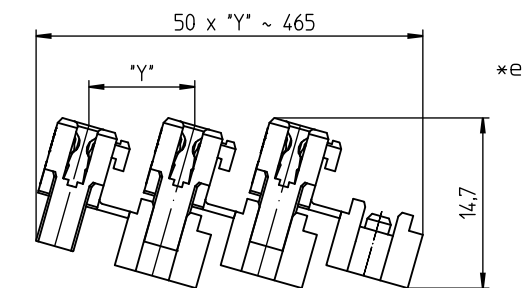
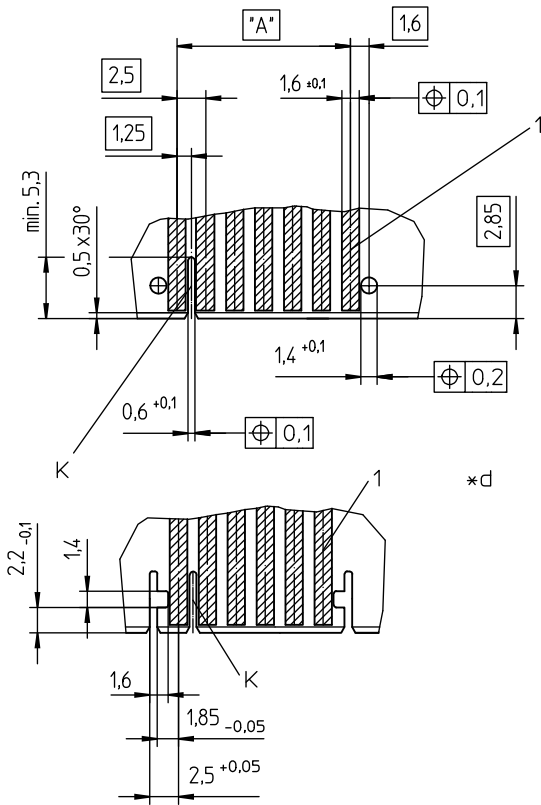
Construction discrete conductor, notched flat cable 2.5 mm
Section min. 0,14 mm²
Section max. 0,38 mm²
Insulation diameter ≤ 1,6 mm
Approved cables at www.lumberg.com 

Electrical data (at T_{amb} 20 °C)

Contact resistance ≤ 5 mΩ
Rated current 4 A (T_{amb} 60 °C)
2 A (T_{amb} 100 °C)
Rated voltage 32 V AC
Material group IIIa (IEC)/2 (UL) (CTI ≥ 250)
Creepage distance 0,6 mm
Clearance 0,6 mm
Insulation resistance > 1 GΩ

35

3517



Associated products

Harnessing equipment

☑ HA3...e	☑ HA35e	☑ HA35e-CA
☑ HA35e-DC	☑ HA35e-RK	☑ HA35f
☑ HA35f-CA	☑ HA35f-CA-KC	☑ HA35f-CA-KC-KT
☑ HA35f-CA-KC-KT-HV	☑ HA35f-HV	☑ HA35f-KC
☑ HA35f-KC-KT	☑ HA35f-RK	☑ HA35f-RK-CA
☑ HA35f-RK-CA-KC	☑ HA35f-RK-CA-KC-KT	☑ HA35f-RK-CA-KC-KT-HV
☑ HZ-M35	☑ HZ35	☑ HZ35-K
☑ KHP35	☑ VARICON 7000	☑ VARICON 7000-DC
☑ VARICON 7000-DC-CR	☑ VARICON 7000-Eco	☑ VARICON 7000-Eco-CR
☑ VARICON 7000-Inline	☑ VARICON 7000-Inline-CR	☑ VARICON 7000-RD
☑ VARICON 7000-RD-CR	☑ VARICON 7000-Unica-35	

- *a terminated connector
- *b color marking:
3517 (M..)S01 blue
3517 (M..)S02 green
3517 (M..)S03 brown
- *c K = keying (alternatively)
P1, P2 = positioning (alternatively)
V = lock
- *d examples for printed circuit board layouts
- *e chaining of the component parts (state of delivery)

Designation	Pole Number	PU (Pieces)	MDQ (Pieces)	Dimensions	
				A (mm)	B (mm)
3517 02	2	4950	4950	2.5	7.4
3517 03	3	3600	3600	5.0	9.9
3517 04	4	2700	2700	7.5	12.4
3517 05	5	2250	2250	10.0	14.9
3517 06	6	1800	3600	12.5	17.4
3517 07	7	1800	3600	15.0	19.9
3517 08	8	1350	2700	17.5	22.4
3517 09	9	1350	2700	20.0	24.9
3517 10	10	1350	2700	22.5	27.4
3517 11	11	900	2700	25.0	29.9
3517 12	12	900	2700	27.5	32.4
3517 13	13	900	2700	30.0	34.9
3517 14	14	900	2700	32.5	37.4
3517 15	15	900	2700	35.0	39.9
3517 16	16	450	2700	37.5	42.4
3517 17	17	450	2700	40.0	44.9
3517 18	18	450	2700	42.5	47.4
3517 19	19	450	2700	45.0	49.9
3517 20	20	450	2700	47.5	52.4

Designation to be completed by further details (e.g. for keying, color or material options).

Packaging:

chained, in a cardboard box