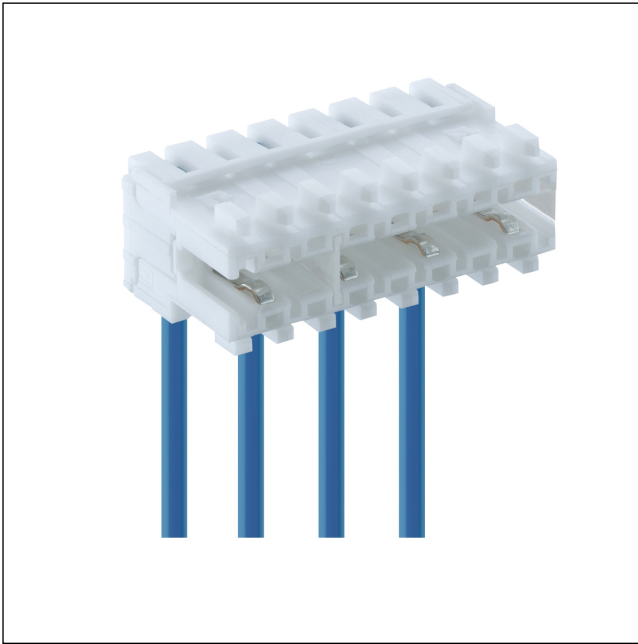


35

351800

RAST 2.5 connectors, pitch 2.5/5.0 mm

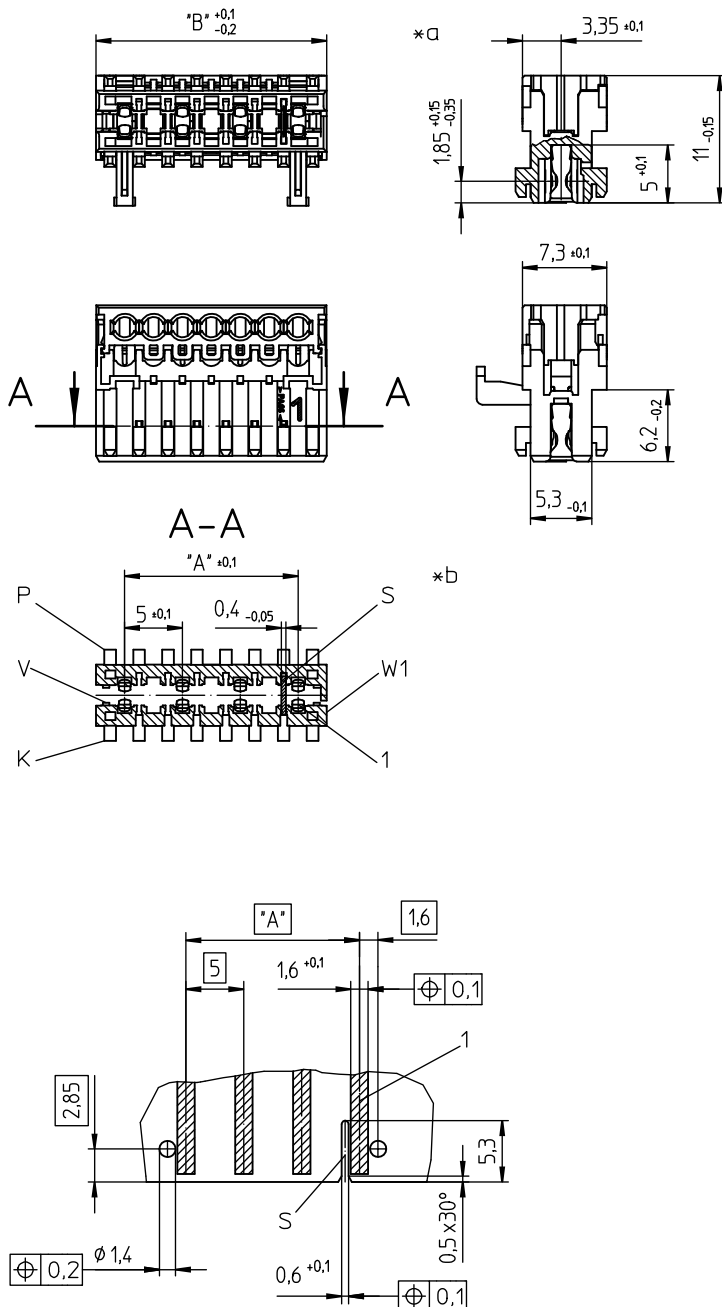


RAST 2.5 plus™ connector for direct mating, with double-sided keying, insulation displacement technology (IDT), with locking on printed circuit board by means of locking toes, alternatively with or without keying rib and closed sides, consecutive placement without loss of pitch contact pitch 5.0 mm

Approvals:



35 351800



Environmental conditions

Temperature range -40 °C/+130 °C¹

¹ upper limit temperature (insulating body) RTI (electrical) of the UL Yellow Card

Materials

Insulating body

PA, V-0 according to UL94¹

Contact spring

CuSn, tin-plated
(6 poles with contact variant V214,
CuSn, tin-plated, with lubricant)

¹ material halogen-free, GWFI 850 °C, GWIT 775 °C

Mechanical data

Insertion force/contact ≤ 4,0 N

Withdrawal force/contact ≥ 0,5 N

Retaining force/locking ≥ 6,0 N¹

Keying proposals at www.lumberg.com 

¹ measured with a polished steel gauge, nominal thickness 1.5 mm

Connectable conductors for IDT area

Construction discrete conductor, notched flat cable 2.5 mm

Section min. 0,35 mm²

Section max. 0,38 mm²

Insulation diameter ≤ 1,6 mm

Electrical data (at T_{amb} 20 °C)

Contact resistance ≤ 5 mΩ

Rated current 4 A (T_{amb} 60 °C)
2 A (T_{amb} 100 °C)

Rated voltage 250 V AC

Material group I (IEC)/0 (UL) (CTI ≥ 600)

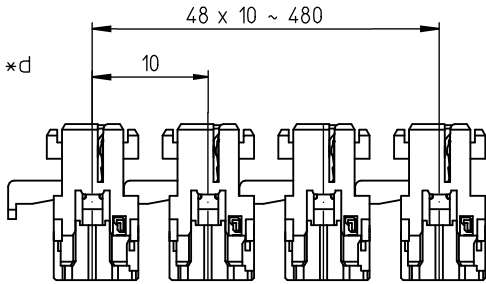
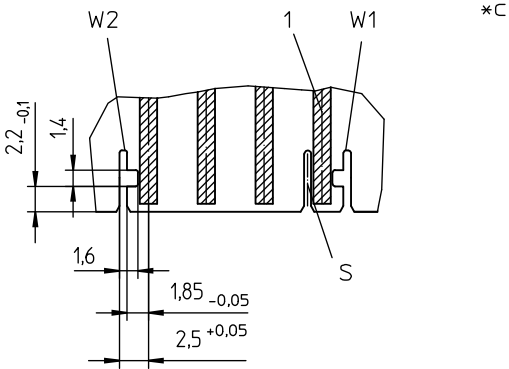
Creepage distance 3,65 mm

Clearance 3,20 mm

Insulation resistance > 1 GΩ

35

351800



- *a terminated connector
- *b K = keying
P = positioning
S = keying rib (alternatively)
V = lock
W = closed side (alternatively)
- *c examples for printed circuit board layouts
- *d chaining of the component parts (state of delivery)

35

351800

Designation	Pole Number	PU (Pieces)	MDQ (Pieces)	Dimensions	
				A (mm)	B (mm)
351800 02	2	3456	10368	5.0	9.9
351800 03	3	2160	10800	10.0	14.9
351800 04	4	1728	5184	15.0	19.9
351800 05	5	1296	3888	20.0	24.9
351800 06	6	864	2592	25.0	29.9

Designation to be completed by further details (e.g. for keying, color or material options).

Packaging:

chained, in a cardboard box