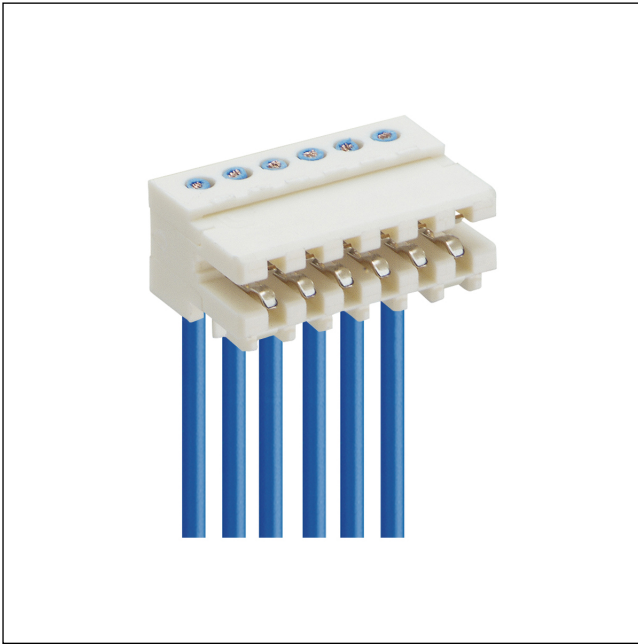


35

3520

RAST 2.5 connectors, pitch 2.5/5.0 mm

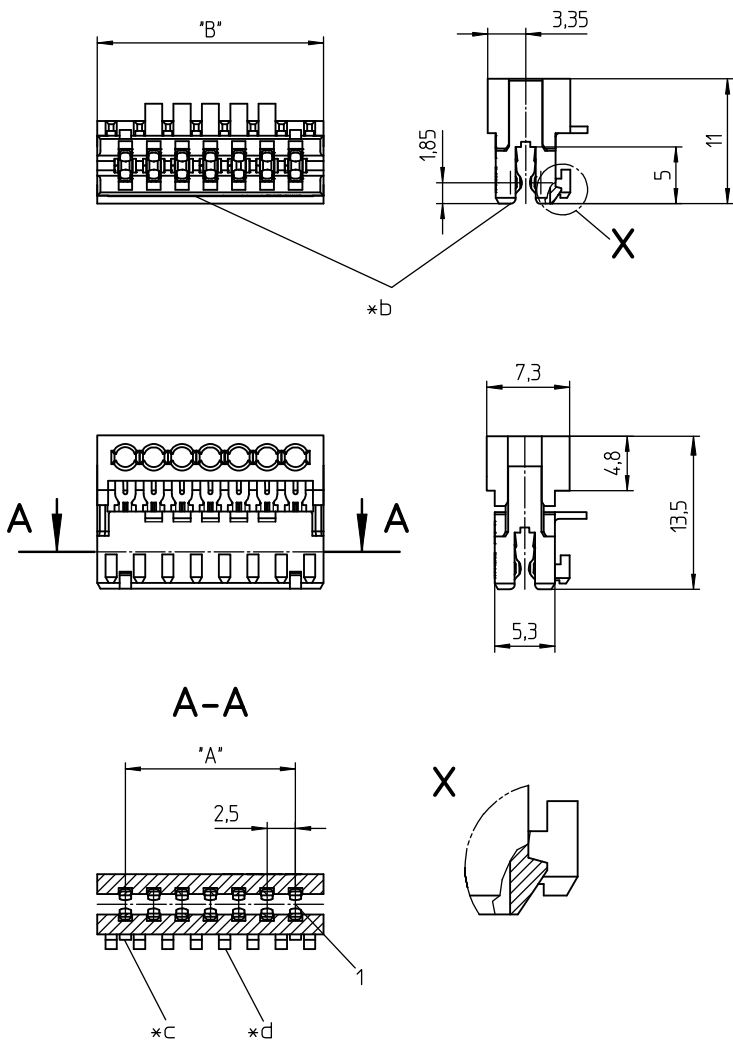


RAST 2.5 connector for direct and indirect mating, insulation displacement technology (IDT), with interior locking, for individual conductors, daisy chain possible contact pitch 2.5 mm

Approvals:



35 3520



Environmental conditions

Temperature range -40 °C/+130 °C¹

¹ upper limit temperature (insulating body) RTI (electrical) of the UL Yellow Card


Materials

Insulating body PBT, V-0 according to UL94 – 3520 (S...V...)
PA, V-2 according to UL94 – 3520 M12(S...V...)¹


Contact spring CuSn, tin-plated – 3520 (M...S...)
CuSn, tin-plated (Sn/Ag), 2-9 poles – 3520 (M...S...)V03
CuSn, pre-nickel and gold-plated – 3520 (M...S...)V102

¹ M12: component glow wire resistant (GWT 750 °C), testing acc. to IEC 60695-2-11, assessment acc. to IEC 60335-1 (flame < 2 s)

Mechanical data

Mating with printed circuit board 1.5 ± 0.14 mm
Insertion force/contact ≤ 4,0 N
Withdrawal force/contact ≥ 0,5 N
Keying proposals at www.lumberg.com 

Connectable conductors for IDT area

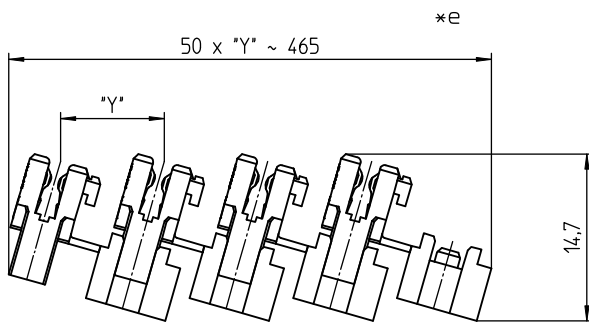
Construction discrete conductor, notched flat cable 2.5 mm
Section min. 0,14 mm²
Section max. 0,38 mm²
Insulation diameter ≤ 1,6 mm
Approved cables at www.lumberg.com 

Electrical data (at T_{amb} 20 °C)

Contact resistance ≤ 5 mΩ
Rated current 4 A (T_{amb} 60 °C)
2 A (T_{amb} 100 °C)
Rated voltage 32 V AC
Material group IIIa (IEC)/2 (UL) (CTI ≥ 250)
Creepage distance 0,6 mm
Clearance 0,6 mm
Insulation resistance > 1 GΩ

35

3520



- *a terminated connector
- *b color marking:
3520 (M...)S01 blue
3520 (M...)S02 green
3520 (M...)S03 brown
- *c lock (detail X)
- *d keying
- *e chaining of the component parts (state of delivery)

Associated products

Counterparts

☞ 3551 ☞ 355195 ☞ 3555

Accessories

☞ 3501

Harnessing equipment

☞ HA3...e	☞ HA35e	☞ HA35e-CA
☞ HA35e-DC	☞ HA35e-RK	☞ HA35f
☞ HA35f-CA	☞ HA35f-CA-KC	☞ HA35f-CA-KC-KT
☞ HA35f-CA-KC-KT-HV	☞ HA35f-HV	☞ HA35f-KC
☞ HA35f-KC-KT	☞ HA35f-RK	☞ HA35f-RK-CA
☞ HA35f-RK-CA-KC	☞ HA35f-RK-CA-KC-KT	☞ HA35f-RK-CA-KC-KT-HV
☞ HZ-M35	☞ HZ35	☞ HZ35-K
☞ KHP35	☞ VARICON 7000	☞ VARICON 7000-DC
☞ VARICON 7000-DC-CR	☞ VARICON 7000-Eco	☞ VARICON 7000-Eco-CR
☞ VARICON 7000-Inline	☞ VARICON 7000-Inline-CR	☞ VARICON 7000-RD
☞ VARICON 7000-RD-CR	☞ VARICON 7000-Unica-35	

35

3520

Designation	Pole Number	PU (Pieces)	MDQ (Pieces)	Dimensions	
				A (mm)	B (mm)
3520 04	4	2700	2700	7.5	12.4
3520 05	5	2250	2250	10.0	14.9
3520 06	6	1800	3600	12.5	17.4
3520 07	7	1800	3600	15.0	19.9
3520 08	8	1350	2700	17.5	22.4
3520 09	9	1350	2700	20.0	24.9
3520 10	10	1350	2700	22.5	27.4
3520 11	11	900	2700	25.0	29.9
3520 12	12	900	2700	27.5	32.4
3520 13	13	900	2700	30.0	34.9
3520 14	14	900	2700	32.5	37.4
3520 15	15	900	2700	35.0	39.9
3520 16	16	450	2700	37.5	42.4
3520 17	17	450	2700	40.0	44.9
3520 18	18	450	2700	42.5	47.4
3520 19	19	450	2700	45.0	49.9
3520 20	20	450	2700	47.5	52.4

Designation to be completed by further details (e.g. for keying, color or material options).

Packaging:

chained, in a cardboard box