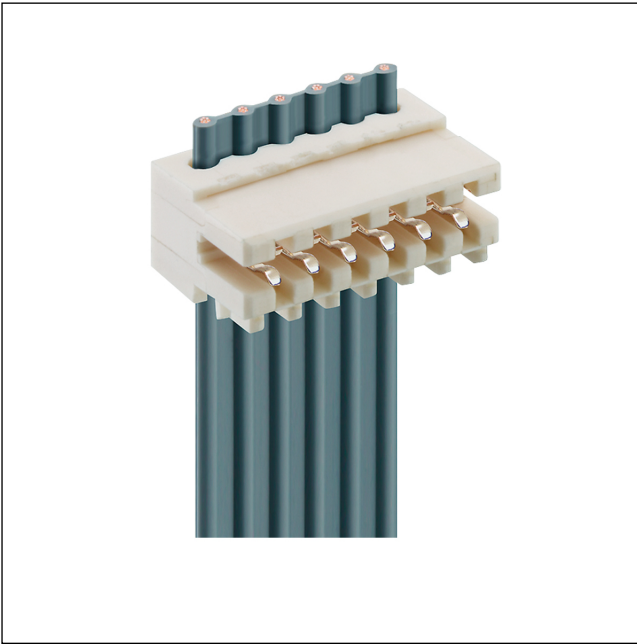



35

3520-1

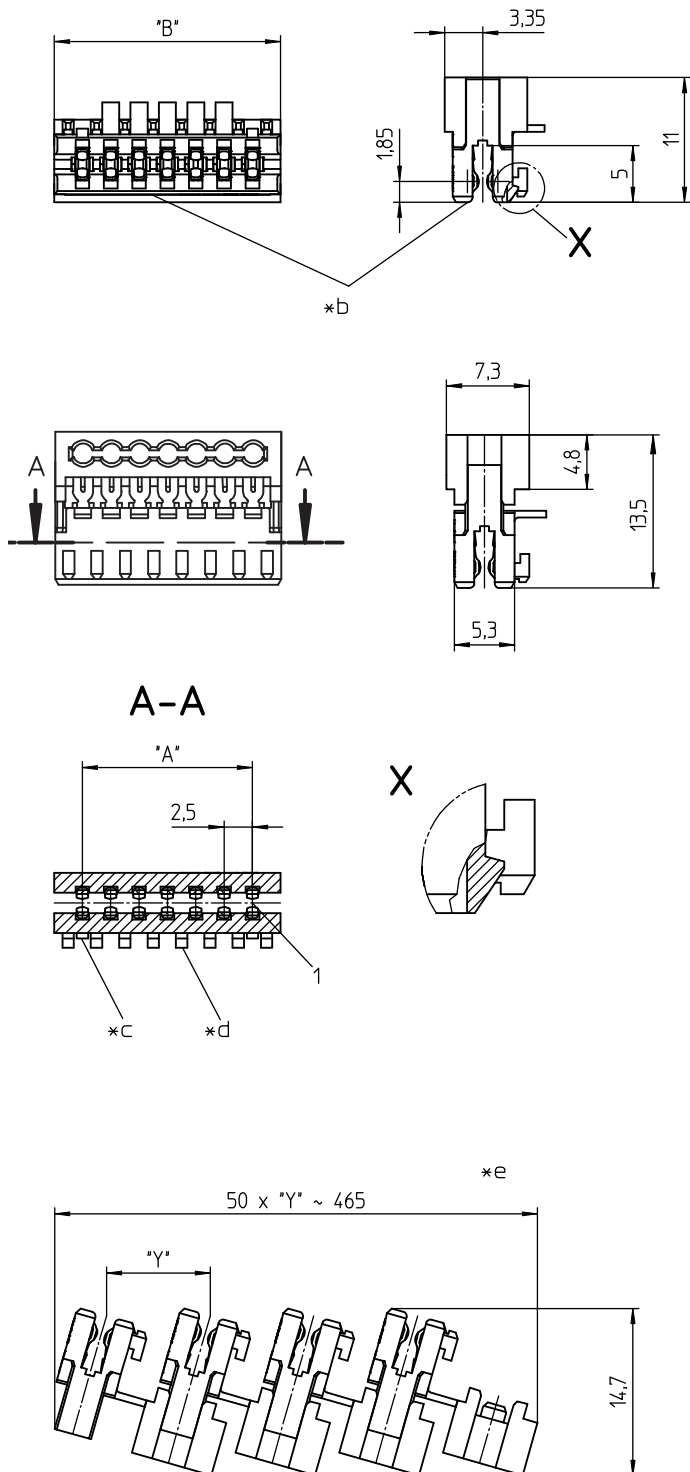
RAST 2.5 connectors, pitch 2.5/5.0 mm



RAST 2.5 connector for direct and indirect mating,
insulation displacement technology (IDT), with interior
locking, for ribbon cable, daisy chain possible
contact pitch 2.5 mm

Approvals: 

35 3520-1



Environmental conditions

Temperature range -40 °C/+130 °C¹

¹ upper limit temperature (insulating body) RTI (electrical) of the UL Yellow Card


Materials

Insulating body PBT, V-0 according to UL94 – 3520-1 (S...V...)
PA, V-2 according to UL94 – 3520-1 M12(S...V...)¹


Contact spring CuSn, tin-plated – 3520-1 (M...S...)
CuSn, tin-plated (Sn/Ag), 2-9 poles – 3520-1 (M...S...)V03
CuSn, pre-nickel and gold-plated – 3520-1 (M...S...)V102

¹ M12: component glow wire resistant (GWT 750 °C), testing acc. to IEC 60695-2-11, assessment acc. to IEC 60335-1 (flame < 2 s)

Mechanical data

Mating with printed circuit board 1.5 ± 0.14 mm
Insertion force/contact ≤ 4,0 N
Withdrawal force/contact ≥ 0,5 N
Keying proposals at www.lumberg.com 

Connectable conductors for IDT area

Construction flat cable 2.5 mm
Section min. 0,14 mm²
Section max. 0,38 mm²
Insulation diameter ≤ 1,6 mm
Approved cables at www.lumberg.com 

Electrical data (at T_{amb} 20 °C)

Contact resistance ≤ 5 mΩ
Rated current 4 A (T_{amb} 60 °C)
2 A (T_{amb} 100 °C)
Rated voltage 32 V AC
Material group IIIa (IEC)/2 (UL) (CTI ≥ 250)
Creepage distance 0,6 mm
Clearance 0,6 mm
Insulation resistance > 1 GΩ

35

3520-1

-
- *a terminated connector
 - *b color marking:
3520-1 (M...)S01 blue
3520-1 (M...)S02 green
3520-1 (M...)S03 brown
 - *c lock (detail X)
 - *d keying
 - *e chaining of the component parts (state of delivery)

Associated products

Counterparts

[↗ 3551](#) [↗ 355195](#) [↗ 3555](#)

Accessories

[↗ 3501](#)

Harnessing equipment

[↗ HA35e-DC](#) [↗ HZ35-K](#)

35

3520-1

Designation	Pole Number	PU (Pieces)	MDQ (Pieces)	Dimensions	
				A (mm)	B (mm)
3520-104	4	2700	5400	7.5	12.4
3520-105	5	2250	2250	10.0	14.9
3520-106	6	1800	3600	12.5	17.4
3520-107	7	1800	3600	15.0	19.9
3520-108	8	1350	2700	17.5	22.4
3520-109	9	1350	2700	20.0	24.9
3520-110	10	1350	2700	22.5	27.4

Designation to be completed by further details (e.g. for keying, color or material options).

Packaging:

chained, in a cardboard box