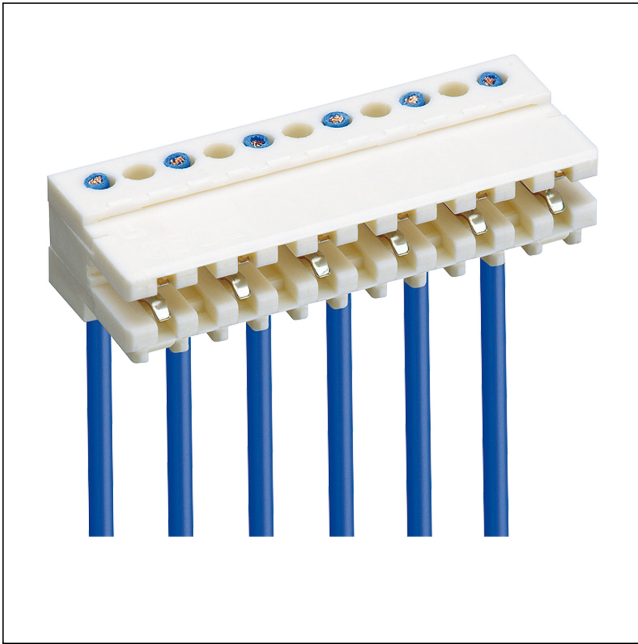


35

3522

RAST 2.5 connectors, pitch 2.5/5.0 mm

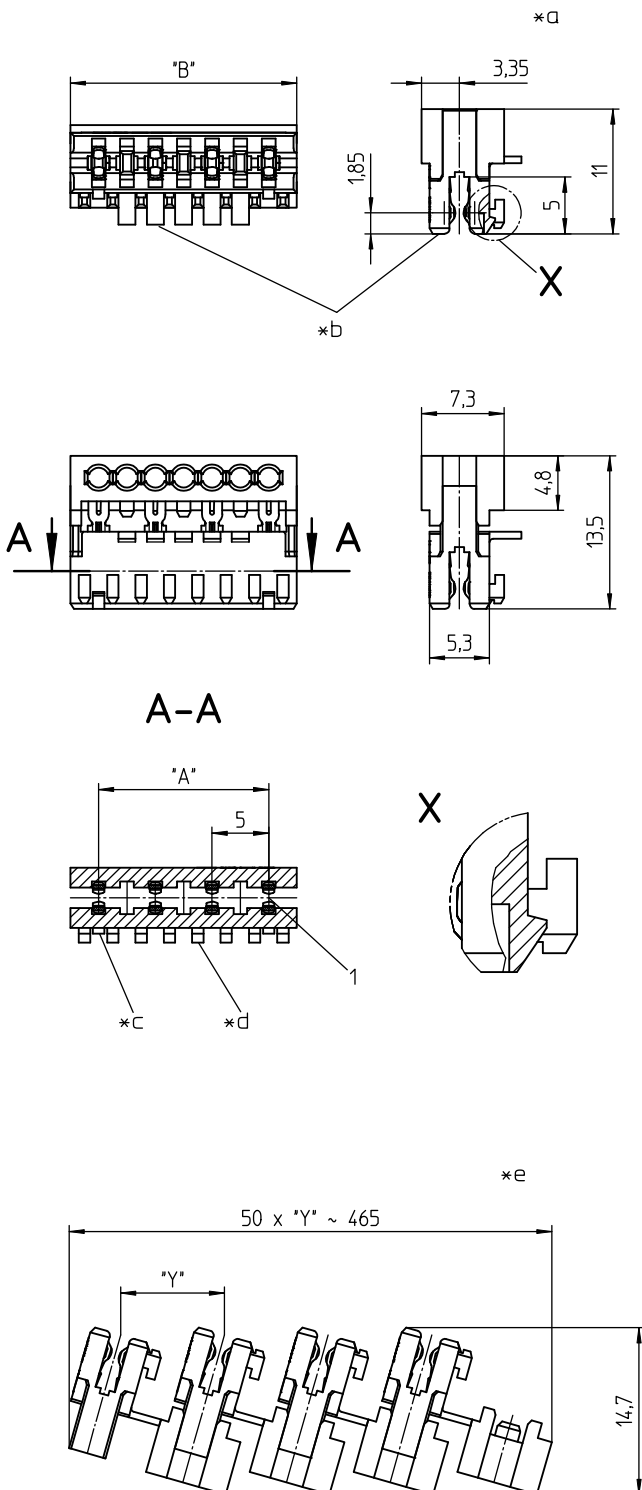


RAST 2.5 connector for direct and indirect mating,  
insulation displacement technology (IDT), with interior  
locking, for individual conductors, daisy chain possible,  
consecutive placement without loss of pitch  
contact pitch 5.0 mm

Approvals:



35 3522



### Environmental conditions

Temperature range -40 °C/+130 °C<sup>1</sup>

<sup>1</sup> upper limit temperature (insulating body) RTI (electrical) of the UL Yellow Card


### Materials

Insulating body PBT, V-0 according to UL94 – 3522 (S...V...)  
PA, V-2 according to UL94 – 3522 M12(S...V...)<sup>1</sup>


Contact spring CuSn, tin-plated – 3522 (M...S...)  
CuSn, tin-plated (Sn/Ag), 2-9 poles – 3522 (M...S...)V03  
CuSn, pre-nickel and gold-plated – 3522 (M...S...)V102

<sup>1</sup> M12: component glow wire resistant (GWT 750 °C), testing acc. to IEC 60695-2-11, assessment acc. to IEC 60335-1 (flame < 2 s)

### Mechanical data

Mating with printed circuit board 1.5 ± 0.14 mm  
Insertion force/contact ≤ 4,0 N  
Withdrawal force/contact ≥ 0,5 N  
Keying proposals at [www.lumberg.com](http://www.lumberg.com) 

### Connectable conductors for IDT area

Construction discrete conductor, notched flat cable 2.5 mm  
Section min. 0,14 mm<sup>2</sup>  
Section max. 0,38 mm<sup>2</sup>  
Insulation diameter ≤ 1,6 mm  
Approved cables at [www.lumberg.com](http://www.lumberg.com) 

### Electrical data (at T<sub>amb</sub> 20 °C)

Contact resistance ≤ 5 mΩ  
Rated current 4 A (T<sub>amb</sub> 60 °C)  
2 A (T<sub>amb</sub> 100 °C)  
Rated voltage 250 V AC  
Material group IIIa (IEC)/2 (UL) (CTI ≥ 250)  
Creepage distance 3,1 mm  
Clearance 3,1 mm  
Insulation resistance > 1 GΩ

- \*a terminated connector
- \*b color marking:  
3522 (M...)S01 blue  
3522 (M...)S02 green  
3522 (M...)S03 brown
- \*c lock (detail X)
- \*d keying
- \*e chaining of the component parts (state of delivery)

**Associated products**

Counterparts

- [↗ 3553](#)                      [↗ 355395](#)                      [↗ 3557](#)

Accessories

- [↗ 3501](#)

Harnessing equipment

- [↗ HA35e](#)                      [↗ HA35e-CA](#)                      [↗ HA35e-DC](#)
- [↗ HA35e-RK](#)                      [↗ HA35f](#)                      [↗ HA35f-CA](#)
- [↗ HA35f-CA-KC](#)                      [↗ HA35f-CA-KC-KT](#)                      [↗ HA35f-CA-KC-KT-HV](#)
- [↗ HA35f-HV](#)                      [↗ HA35f-KC](#)                      [↗ HA35f-KC-KT](#)
- [↗ HA35f-RK](#)                      [↗ HA35f-RK-CA](#)                      [↗ HA35f-RK-CA-KC](#)
- [↗ HA35f-RK-CA-KC-KT](#)                      [↗ HA35f-RK-CA-KC-KT-HV](#)                      [↗ HZ-M35](#)
- [↗ HZ35](#)                      [↗ HZ35-K](#)                      [↗ KHP35](#)
- [↗ VARICON 7000](#)                      [↗ VARICON 7000-DC](#)                      [↗ VARICON 7000-DC-CR](#)
- [↗ VARICON 7000-Eco](#)                      [↗ VARICON 7000-Eco-CR](#)                      [↗ VARICON 7000-Inline](#)
- [↗ VARICON 7000-Inline-CR](#)                      [↗ VARICON 7000-RD](#)                      [↗ VARICON 7000-RD-CR](#)
- [↗ VARICON 7000-Unica-35](#)

35

3522

Designation	Pole Number	PU (Pieces)	MDQ (Pieces)	Dimensions	
				A (mm)	B (mm)
3522 03	3	2250	2250	10.0	14.9
3522 04	4	1800	3600	15.0	19.9
3522 05	5	1350	2700	20.0	24.9
3522 06	6	900	2700	25.0	29.9
3522 07	7	900	2700	30.0	34.9
3522 08	8	900	2700	35.0	39.9
3522 09	9	450	2700	40.0	44.9
3522 10	10	450	2700	45.0	49.9

Designation to be completed by further details (e.g. for keying, color or material options).

**Packaging:**

chained, in a cardboard box