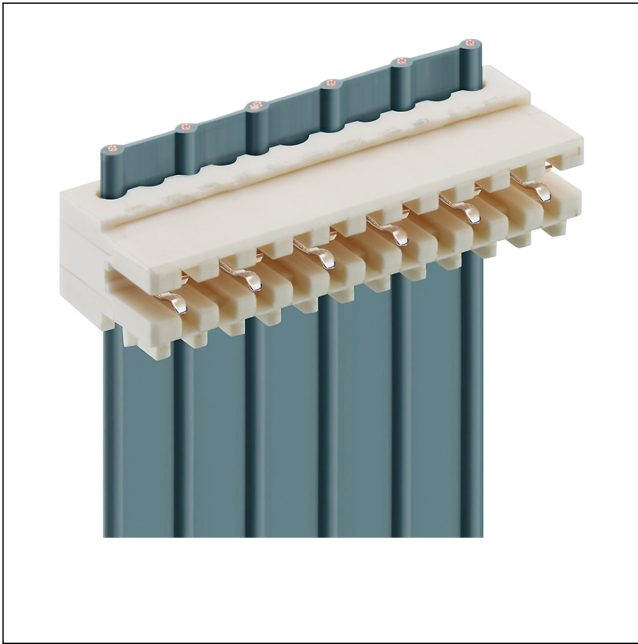


35

3522-1

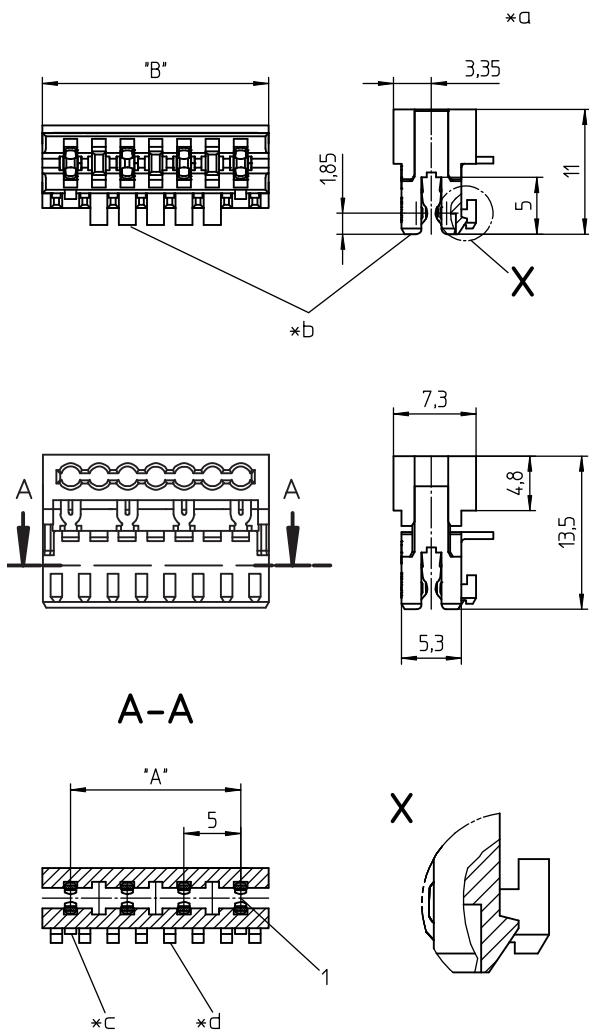
RAST 2.5 connectors, pitch 2.5/5.0 mm



RAST 2.5 connector for direct and indirect mating,  
insulation displacement technology (IDT), with interior  
locking, for ribbon cable, daisy chain possible, consecutive  
placement without loss of pitch  
contact pitch 5.0 mm

35

3522-1



### Environmental conditions

Temperature range -40 °C/+130 °C<sup>1</sup>

<sup>1</sup> upper limit temperature (insulating body) RTI (electrical) of the UL Yellow Card


### Materials

Insulating body PBT, V-0 according to UL94 – 3522-1 (S...V...)  
PA, V-2 according to UL94 – 3522-1 M12(S...V...)<sup>1</sup>


Contact spring CuSn, tin-plated – 3522-1 (M...S...)  
CuSn, tin-plated (Sn/Ag), 2-9 poles – 3522-1 (M...S...)/V03  
CuSn, pre-nickel and gold-plated – 3522-1 (M...S...)/V102

<sup>1</sup> M12: component glow wire resistant (GWT 750 °C), testing acc. to IEC 60695-2-11, assessment acc. to IEC 60335-1 (flame < 2 s)

### Mechanical data

Mating with printed circuit board 1.5 ± 0.14 mm  
Insertion force/contact ≤ 4,0 N  
Withdrawal force/contact ≥ 0,5 N  
Keying proposals at [www.lumberg.com](http://www.lumberg.com) 

### Connectable conductors for IDT area

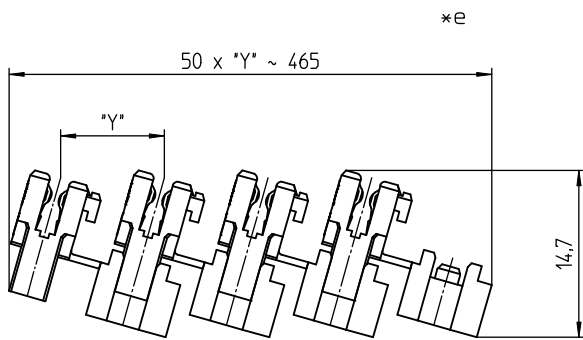
Construction flat cable 2.5 mm  
Section min. 0,14 mm<sup>2</sup>  
Section max. 0,38 mm<sup>2</sup>  
Insulation diameter ≤ 1,6 mm  
Approved cables at [www.lumberg.com](http://www.lumberg.com) 

### Electrical data (at T<sub>amb</sub> 20 °C)

Contact resistance ≤ 5 mΩ  
Rated current 4 A (T<sub>amb</sub> 60 °C)  
2 A (T<sub>amb</sub> 100 °C)  
Rated voltage 250 V AC  
Material group IIIa (IEC)/2 (UL) (CTI ≥ 250)  
Creepage distance 3,1 mm  
Clearance 3,1 mm  
Insulation resistance > 1 GΩ

35

3522-1



#### Associated products

##### Counterparts

☞ 3553

☞ 355395

☞ 3557

##### Accessories

☞ 3501

##### Harnessing equipment

☞ HZ35-K

- \*a terminated connector
- \*b color marking:  
3522-1 (M..)S01 blue  
3522-1 (M..)S02 green  
3522-1 (M..)S03 brown
- \*c lock (detail X)
- \*d keying
- \*e chaining of the component parts (state of delivery)

35

3522-1

Designation	Pole Number	PU (Pieces)	MDQ (Pieces)	Dimensions	
				A (mm)	B (mm)
3522-103	3	2250	4500	10.0	14.9
3522-104	4	1800	3600	15.0	19.9
3522-105	5	1350	2700	20.0	24.9

Designation to be completed by further details (e.g. for keying, color or material options).

**Packaging:**

chained, in a cardboard box