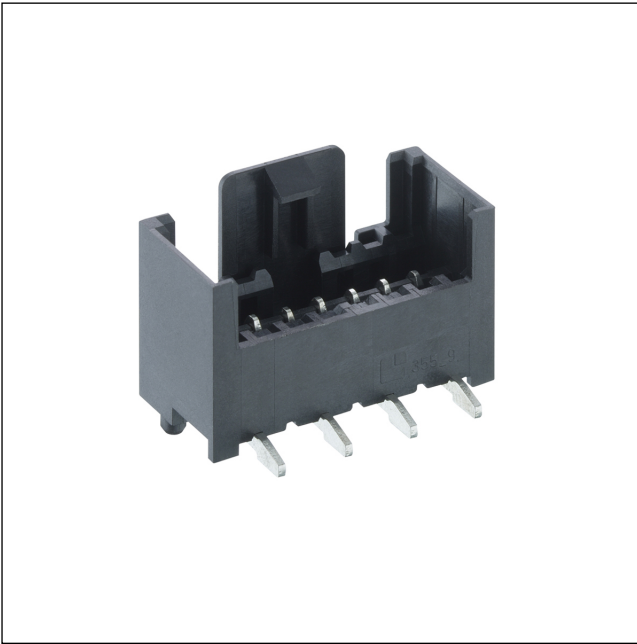


35

355095

RAST 2.5 connectors, pitch 2.5/5.0 mm



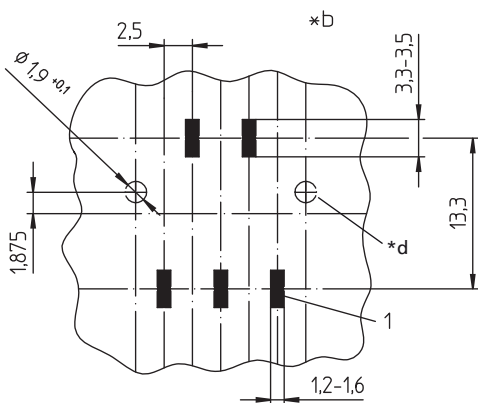
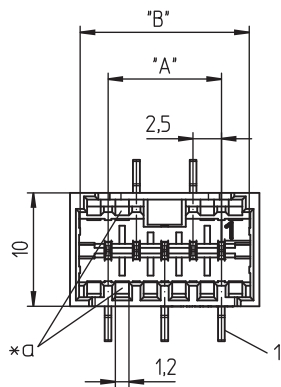
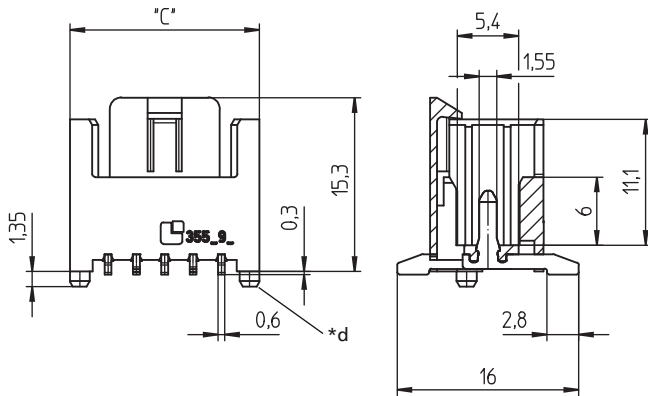
RAST 2.5 plus™ pin header, upright, in surface mount technology (SMT), with locking latch and one or two positioning spigots, with double-sided keying contact pitch 2.5 mm

Approvals:



35

355095



Environmental conditions

Temperature range -40 °C/+140 °C¹

¹ upper limit temperature (insulating body) RTI (electrical) of the UL Yellow Card

Materials

Insulating body PA GF, V-0 according to UL94¹
Contact pin CuZn, pre-nickel and tin-plated

¹ component glow wire resistant (GWT 750 °C), testing acc. to IEC 60695-2-11, assessment acc. to IEC 60335-1 (flame < 2 s)




Mechanical data

Keying proposals at www.lumberg.com 

Electrical data (at T_{amb} 20 °C)

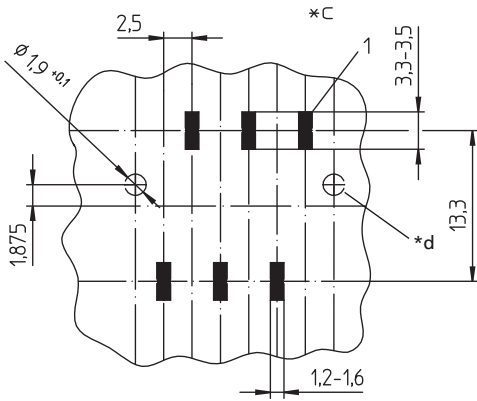
Rated current 4 A (T_{amb} 80 °C, VDE)
2 A (T_{amb} 120 °C, VDE/cULus)
Rated voltage 160 V AC
32 V AC (VDE)
250 V AC (cULus)
Material group II (IEC)/I (UL) (CTI ≥ 450)
Creepage distance 1,9 mm
Clearance 1,9 mm
Insulation resistance > 1 GΩ

Associated products

Counterparts  3521  3521-2  352100

35

355095



- *a keying
- *b printed circuit board layout, uneven pole number, components side view
- *c printed circuit board layout, even pole number, components side view
- *d second positioning spigot at 355095 Z02

35

355095

Designation	Pole Number	PU (Pieces)	MDQ (Pieces)	Dimensions		
				A (mm)	B (mm)	C (mm)
355095 03	3	4400	4400	5.0	10.1	11.7
355095 04	4	4400	4400	7.5	12.6	14.2
355095 05	5	4400	4400	10.0	15.1	16.7
355095 06	6	4400	4400	12.5	17.6	19.2
355095 07	7	4400	4400	15.0	20.1	21.7
355095 03 Z02	3	4400	4400	5.0	10.1	11.7
355095 04 Z02	4	4400	4400	7.5	12.6	14.2
355095 05 Z02	5	4400	4400	10.0	15.1	16.7
355095 06 Z02	6	4400	4400	12.5	17.6	19.2
355095 07 Z02	7	4400	4400	15.0	20.1	21.7

Designation to be completed by further details (e.g. for keying, color or material options).

Packaging:

on reel – in bar stock carriers upon request