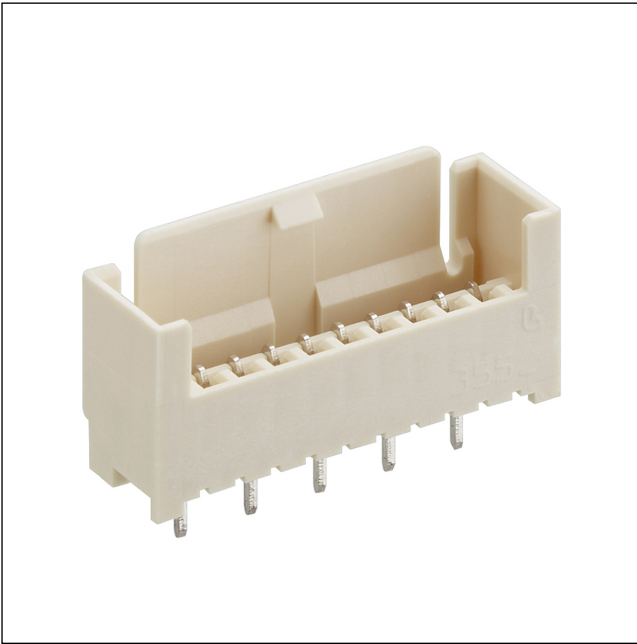


35

355096

RAST 2.5 connectors, pitch 2.5/5.0 mm

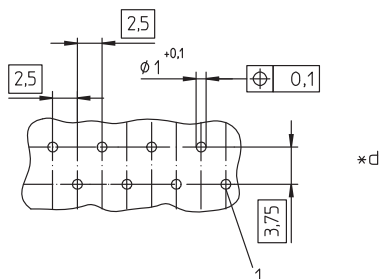
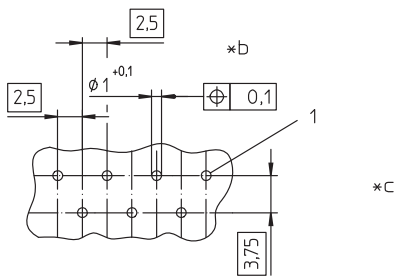
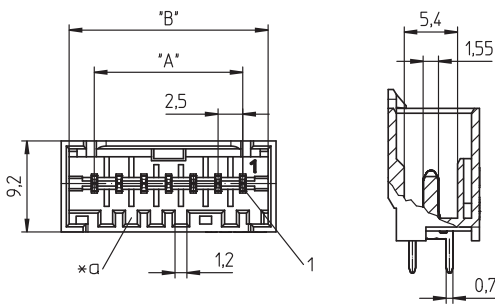
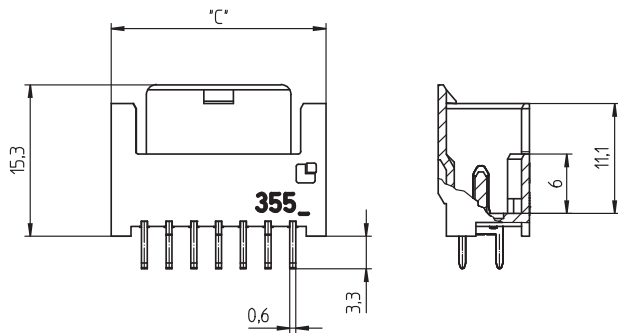


RAST 2.5 pin header, with locking latch (without
positioning spigot)
contact pitch 2.5 mm

Approvals:



35 355096



Environmental conditions

Temperature range -40 °C/+120 °C¹

¹ upper limit temperature (insulating body) RTI (electrical) of the UL Yellow Card

Materials

Insulating body PA GF, V-0 according to UL94¹

Contact pin CuZn, pre-nickel and tin-plated

¹ component glow wire resistant (GWT 750 °C), testing acc. to IEC 60695-2-11, assessment acc. to IEC 60335-1 (flame < 2 s)

Electrical data (at T_{amb} 20 °C)

Rated current 4 A (T_{amb} 60 °C, VDE)
2 A (T_{amb} 100 °C, VDE/cULus)

Rated voltage 160 V AC
32 V AC (VDE)
250 V AC (cULus)

Material group IIIa (IEC)/2 (UL) (CTI ≥ 250)

Creepage distance 1,9 mm

Clearance 1,9 mm

Insulation resistance > 1 GΩ

Associated products

Counterparts

☞ 3521

☞ 3521-2

☞ 352100

35 355096

Designation	Pole Number	PU (Pieces)	MDQ (Pieces)	Dimensions		
				A (mm)	B (mm)	C (mm)
355096 02	2	1000	2000	2.5	7.6	9.2
355096 03	3	1000	2000	5.0	10.1	11.7
355096 04	4	1000	2000	7.5	12.6	14.2
355096 05	5	1000	2000	10.0	15.1	16.7
355096 06	6	500	2000	12.5	17.6	19.2
355096 07	7	500	2000	15.0	20.1	21.7
355096 08	8	500	2000	17.5	22.6	24.2
355096 09	9	500	2000	20.0	25.1	26.7
355096 10	10	500	2000	22.5	27.6	29.2
355096 11	11	250	2000	25.0	30.1	31.7
355096 12	12	250	2000	27.5	32.6	34.2
355096 13	13	250	2000	30.0	35.1	36.7
355096 14	14	250	2000	32.5	37.6	39.2
355096 15	15	250	2000	35.0	40.1	41.7
355096 16	16	250	2000	37.5	42.6	44.2
355096 17	17	250	2000	40.0	45.1	46.7
355096 18	18	250	2000	42.5	47.6	49.2
355096 19	19	250	2000	45.0	50.1	51.7
355096 20	20	250	2000	47.5	52.6	54.2

Designation to be completed by further details (e.g. for keying, color or material options).

Packaging:

in bulk, in a cardboard box