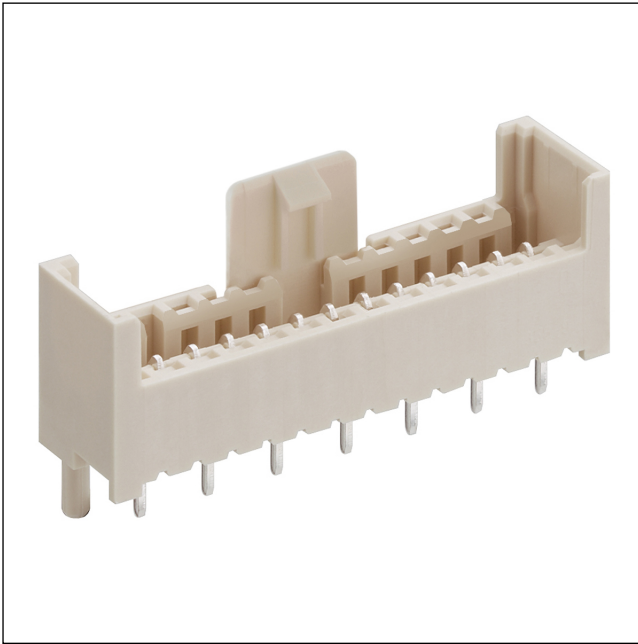


35

355099

RAST 2.5 connectors, pitch 2.5/5.0 mm



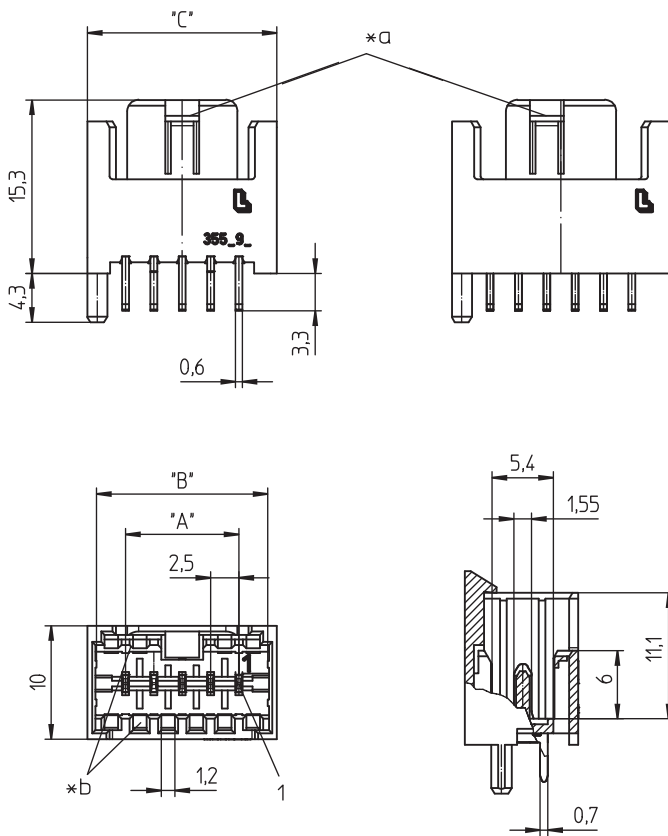
RAST-2.5-plus™ pin header, upright, with locking latch and positioning spigot, with double-sided keying contact pitch 2.5 mm

Approvals:



35

355099



Environmental conditions

Temperature range -40 °C/+120 °C¹

¹ upper limit temperature (insulating body) RTI (electrical) of the UL Yellow Card

Materials

Insulating body PA GF, V-0 according to UL94¹

Contact pin CuZn, pre-nickel and tin-plated

¹ component glow wire resistant (GWT 750 °C), testing acc. to IEC 60695-2-11, assessment acc. to IEC 60335-1 (flame < 2 s)

Electrical data (at T_{amb} 20 °C)

Rated current 4 A (T_{amb} 80 °C, VDE)
2 A (T_{amb} 120 °C, VDE)

Rated voltage 160 V AC
32 V AC (VDE)

Material group IIIa (IEC)/2 (UL) (CTI ≥ 250)

Creepage distance 1,9 mm

Clearance 1,9 mm

Insulation resistance > 1 GΩ

Associated products

Counterparts

☞ 3521

☞ 3521-2

☞ 352100

35

355099

| Designation | Pole Number | PU (Pieces) | MDQ (Pieces) | Dimensions | | |
|-------------|-------------|-------------|--------------|------------|--------|--------|
| | | | | A (mm) | B (mm) | C (mm) |
| 355099 03 | 3 | 1000 | 2000 | 5.0 | 10.1 | 11.7 |
| 355099 04 | 4 | 1000 | 2000 | 7.5 | 12.6 | 14.2 |
| 355099 05 | 5 | 1000 | 2000 | 10.0 | 15.1 | 16.7 |
| 355099 06 | 6 | 500 | 2000 | 12.5 | 17.6 | 19.2 |
| 355099 07 | 7 | 500 | 2000 | 15.0 | 20.1 | 21.7 |
| 355099 08 | 8 | 500 | 2000 | 17.5 | 22.6 | 24.2 |
| 355099 09 | 9 | 500 | 2000 | 20.0 | 25.1 | 26.7 |
| 355099 10 | 10 | 500 | 2000 | 22.5 | 27.6 | 29.2 |
| 355099 11 | 11 | 250 | 2000 | 25.0 | 30.1 | 31.7 |

Designation to be completed by further details (e.g. for keying, color or material options).

Packaging:

in bulk, in a cardboard box