

35

355295

RAST 2.5 connectors, pitch 2.5/5.0 mm



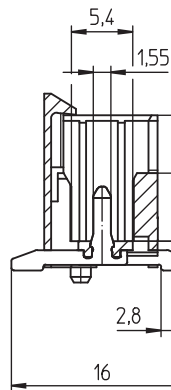
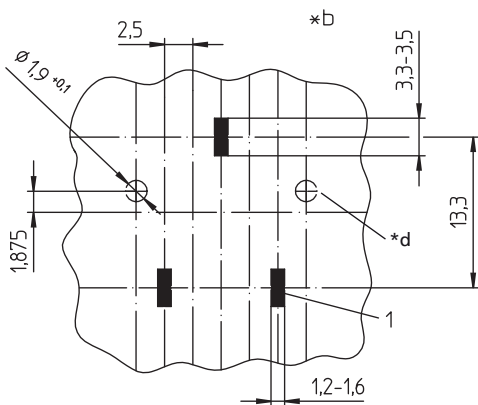
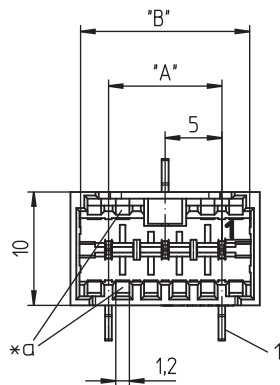
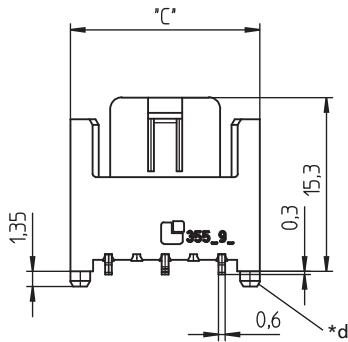
RAST 2.5 plus™ pin header, upright, in surface mount technology (SMT), with locking latch and one or two positioning spigots, with double-sided keying contact pitch 5.0 mm

Approvals:



35

355295



Environmental conditions

Temperature range -40 °C/+140 °C¹
¹ upper limit temperature (insulating body) RTI (electrical) of the UL Yellow Card

Materials

Insulating body PA GF, V-0 according to UL94¹
 Contact pin CuZn, pre-nickel and tin-plated
¹ component glow wire resistant (GWT 750 °C), testing acc. to IEC 60695-2-11, assessment acc. to IEC 60335-1 (flame < 2 s)

Electrical data (at T_{amb} 20 °C)

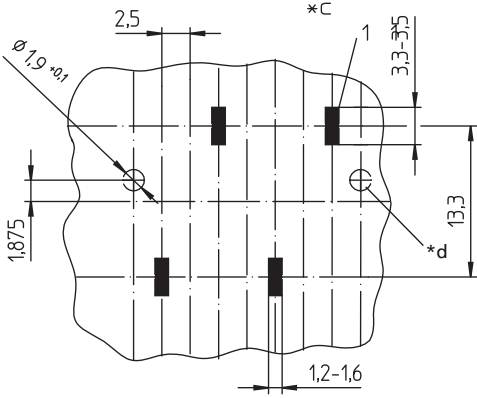
Rated current 4 A (T_{amb} 80 °C, VDE)
 2 A (T_{amb} 120 °C, VDE/cULus)
 Rated voltage 250 V AC (VDE)
 500 V AC (cULus)
 Material group II (IEC)/I (UL) (CTI ≥ 450)
 Creepage distance 4,4 mm
 Clearance 4,4 mm
 Insulation resistance > 1 GΩ

Associated products

Counterparts
 ☞ 3523 ☞ 3523-2 ☞ 352300
 ☞ 3570 ☞ 357000 ☞ 357099

35

355295



- *a keying
- *b printed circuit board layout, uneven pole number, components side view
- *c printed circuit board layout, even pole number, components side view
- *d second positioning spigot at 355295 Z02

35

355295

Designation	Pole Number	PU (Pieces)	MDQ (Pieces)	Dimensions		
				A (mm)	B (mm)	C (mm)
355295 03	3	4400	4400	10.0	15.1	16.7
355295 04	4	4400	4400	15.0	20.1	21.7
355295 03 Z02	3	4400	4400	10.0	15.1	16.7
355295 04 Z02	4	4400	4400	15.0	20.1	21.7

Designation to be completed by further details (e.g. for keying, color or material options).

Packaging:

on reel – in bar stock carriers upon request