

35

355395

RAST 2.5 connectors, pitch 2.5/5.0 mm



RAST 2.5 plus™ pin header, upright, in surface mount technology (SMT), with one or two positioning spigots, for interior locking, daisy chain possible, with double-sided keying  
contact pitch 5.0 mm

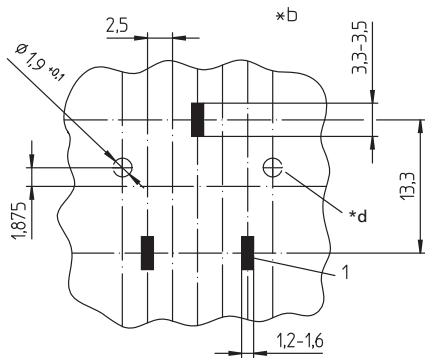
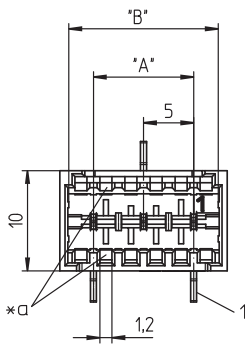
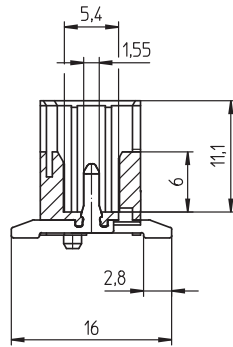
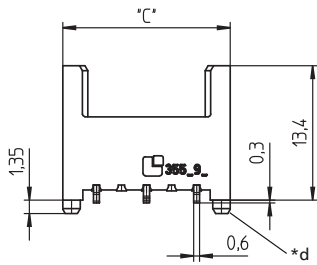
---

Approvals:



35

355395



### Environmental conditions

Temperature range -40 °C/+140 °C<sup>1</sup>

<sup>1</sup> upper limit temperature (insulating body) RTI (electrical) of the UL Yellow Card

### Materials

Insulating body PA GF, V-0 according to UL94<sup>1</sup>

Contact pin CuZn, pre-nickel and tin-plated

<sup>1</sup> component glow wire resistant (GWT 750 °C), testing acc. to IEC 60695-2-11, assessment acc. to IEC 60335-1 (flame < 2 s)

### Electrical data (at T<sub>amb</sub> 20 °C)

Rated current 4 A (T<sub>amb</sub> 80 °C, VDE)  
2 A (T<sub>amb</sub> 120 °C, VDE/cULus)

Rated voltage 250 V AC (VDE)  
500 V AC (cULus)

Material group II (IEC)/I (UL) (CTI ≥ 450)

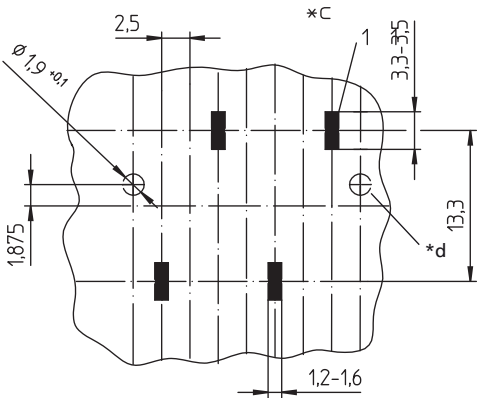
Creepage distance 4,4 mm

Clearance 4,4 mm

Insulation resistance > 1 GΩ

35

355395



- \*a keying
- \*b printed circuit board layout, uneven pole number, components side view
- \*c printed circuit board layout, even pole number, components side view
- \*d second positioning spigot at 355395 Z02

35

355395

Designation	Pole Number	PU (Pieces)	MDQ (Pieces)	Dimensions		
				A (mm)	B (mm)	C (mm)
355395 03	3	4400	4400	10.0	15.1	16.7
355395 04	4	4400	4400	15.0	20.1	21.7
355395 03 Z02	3	4400	4400	10.0	15.1	16.7
355395 04 Z02	4	4400	4400	15.0	20.1	21.7

Designation to be completed by further details (e.g. for keying, color or material options).

**Packaging:**

on reel – in bar stock carriers upon request