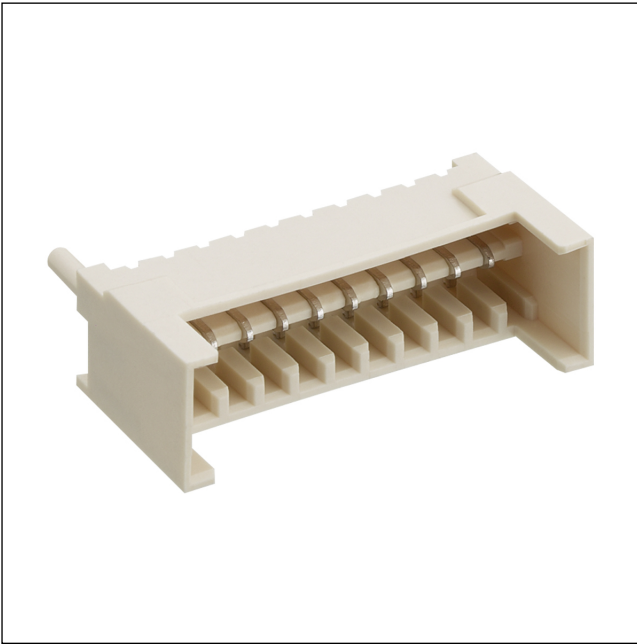


35

3555

RAST 2.5 connectors, pitch 2.5/5.0 mm



RAST 2.5 pin header, angular, for interior locking, daisy  
chain possible  
contact pitch 2.5 mm

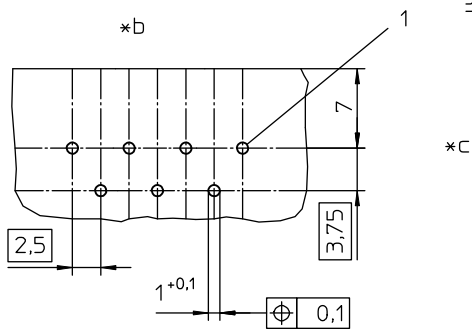
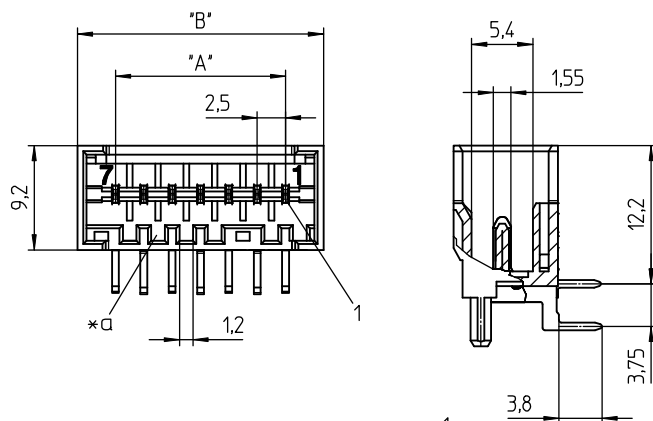
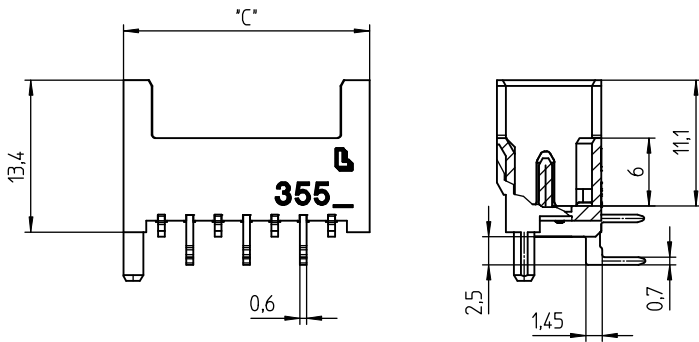
---

Approvals:



35

3555



### Environmental conditions

Temperature range -40 °C/+120 °C<sup>1</sup>

<sup>1</sup> upper limit temperature (insulating body) RTI (electrical) of the UL Yellow Card

### Materials

Insulating body PA GF, V-0 according to UL94<sup>1</sup>

Contact pin CuZn, pre-nickel and tin-plated

<sup>1</sup> component glow wire resistant (GWT 750 °C), testing acc. to IEC 60695-2-11, assessment acc. to IEC 60335-1 (flame < 2 s)

### Mechanical data

Keying proposals at [www.lumberg.com](http://www.lumberg.com) 

### Electrical data (at T<sub>amb</sub> 20 °C)

Rated current 4 A (T<sub>amb</sub> 80 °C, VDE)  
2 A (T<sub>amb</sub> 120 °C, VDE/cULus)

Rated voltage 160 V AC  
32 V AC (VDE)  
250 V AC (cULus)

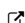
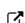
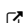
Material group IIIa (IEC)/2 (UL) (CTI ≥ 250)

Creepage distance 1,9 mm

Clearance 1,9 mm

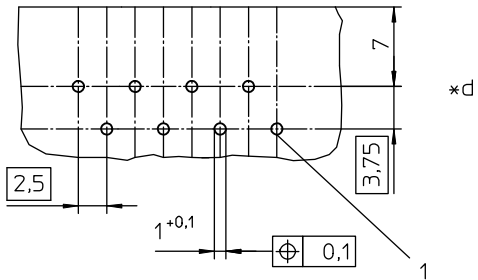
Insulation resistance > 1 GΩ

### Associated products

Counterparts  3520  3520-1  3520-2

35

3555



\*a keying

\*b printed circuit board layouts, solder side view

\*c uneven pole numbers

\*d even pole numbers

35

3555

Designation	Pole Number	PU (Pieces)	MDQ (Pieces)	Dimensions		
				A (mm)	B (mm)	C (mm)
3555 03	3	1000	2000	5.0	10.1	11.7
3555 04	4	1000	2000	7.5	12.6	14.2
3555 05	5	1000	2000	10.0	15.1	16.7
3555 06	6	500	2000	12.5	17.6	19.2
3555 07	7	500	2000	15.0	20.1	21.7
3555 08	8	500	2000	17.5	22.6	24.2
3555 09	9	500	2000	20.0	25.1	26.7
3555 10	10	500	2000	22.5	27.6	29.2
3555 11	11	250	2000	25.0	30.1	31.7
3555 12	12	250	2000	27.5	32.6	34.2
3555 13	13	250	2000	30.0	35.1	36.7
3555 14	14	250	2000	32.5	37.6	39.2
3555 15	15	250	2000	35.0	40.1	41.7
3555 16	16	250	2000	37.5	42.6	44.2
3555 17	17	250	2000	40.0	45.1	46.7
3555 18	18	250	2000	42.5	47.6	49.2
3555 19	19	250	2000	45.0	50.1	51.7
3555 20	20	250	2000	47.5	52.6	54.2

Designation to be completed by further details (e.g. for keying, color or material options).

**Packaging:**

in bulk, in a cardboard box