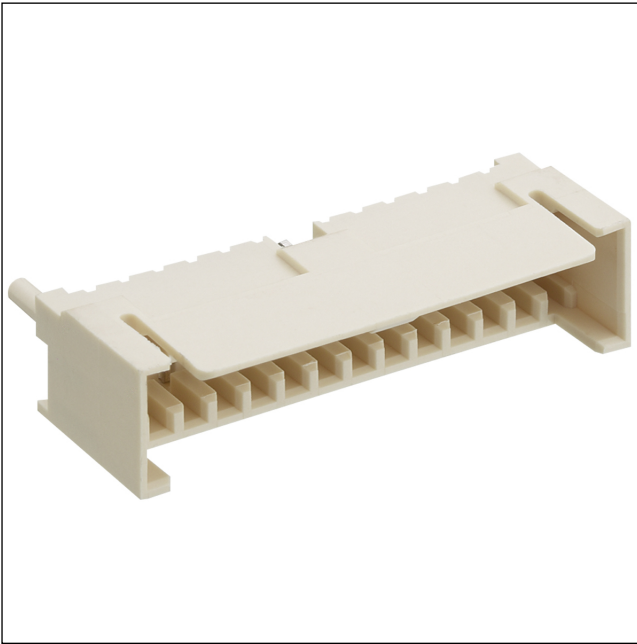


35

3556

RAST 2.5 connectors, pitch 2.5/5.0 mm



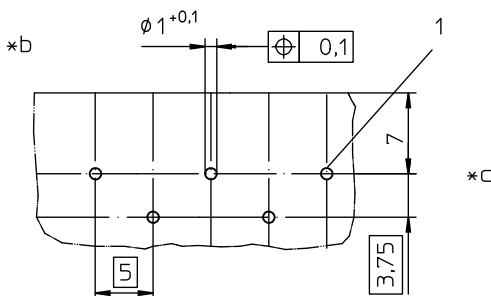
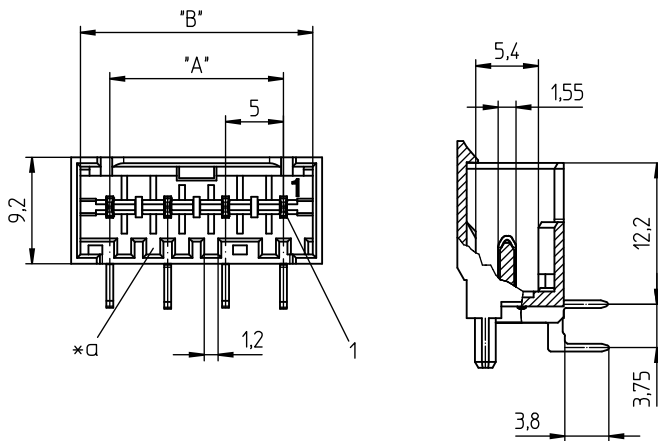
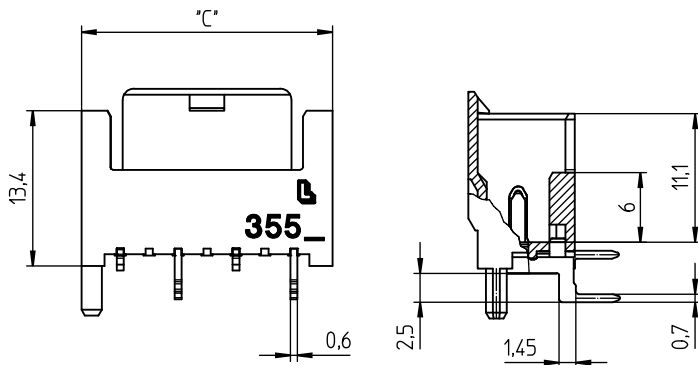
RAST 2.5 pin header, angular, with locking latch
contact pitch 5.0 mm

Approvals:



35

3556



Environmental conditions

Temperature range -40 °C/+120 °C¹

¹ upper limit temperature (insulating body) RTI (electrical) of the UL Yellow Card

Materials

Insulating body PA GF, V-0 according to UL94¹

Contact pin CuZn, pre-nickel and tin-plated

¹ component glow wire resistant (GWT 750 °C), testing acc. to IEC 60695-2-11, assessment acc. to IEC 60335-1 (flame < 2 s)

Mechanical data

Keying proposals at www.lumberg.com 

Electrical data (at T_{amb} 20 °C)

Rated current 6 A (T_{amb} 85 °C, VDE)
2 A (T_{amb} 120 °C, VDE/cULus)
10 A (T_{amb} 70 °C, 3556 V04 2-5 poles, VDE/ULus)
6 A (T_{amb} 70 °C, 3556 V04 2-5 poles, cUL)

Rated voltage 400 V AC (VDE)
250 V AC (cULus)
400 V AC (3556 V04)

Material group IIIa (IEC)/2 (UL) (CTI ≥ 250)

Creepage distance 4,4 mm


Clearance 4,4 mm


Insulation resistance > 1 GΩ

Associated products


Counterparts

 3523

 3523-2

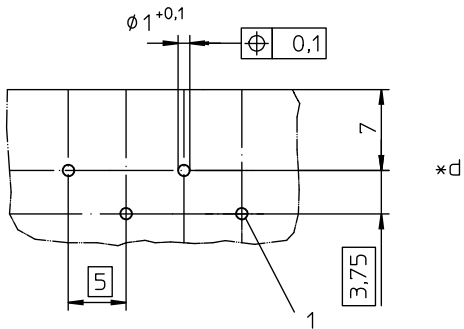
 352300

 3570

 357000

35

3556



- *a keying
- *b printed circuit board layouts, solder side view
- *c uneven pole numbers
- *d even pole numbers

35

3556

Designation	Pole Number	PU (Pieces)	MDQ (Pieces)	Dimensions		
				A (mm)	B (mm)	C (mm)
3556 02	2	1000	2000	5	10.1	11.7
3556 03	3	1000	2000	10	15.1	16.7
3556 04	4	500	2000	15	20.1	21.7
3556 05	5	500	2000	20	25.1	26.7
3556 06	6	250	2000	25	30.1	31.7
3556 07	7	250	2000	30	35.1	36.7
3556 08	8	250	2000	35	40.1	41.7
3556 09	9	250	2000	40	45.1	46.7
3556 10	10	250	2000	45	50.1	51.7

Designation to be completed by further details (e.g. for keying, color or material options).

Packaging:

in bulk, in a cardboard box