

35

3557

RAST 2.5 connectors, pitch 2.5/5.0 mm



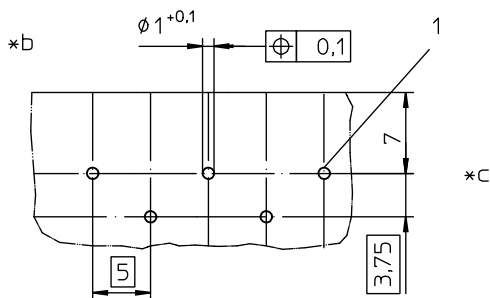
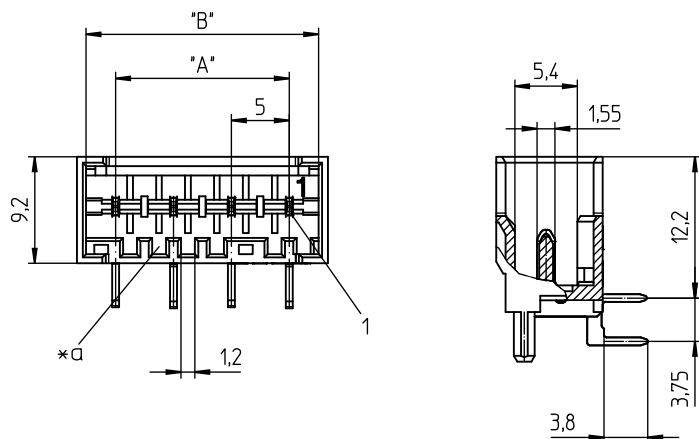
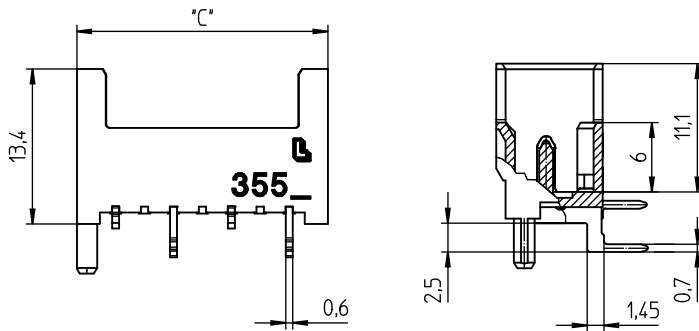
RAST 2.5 pin header, angular, for interior locking, daisy
chain possible
contact pitch 5.0 mm

Approvals:



35

3557



Environmental conditions

Temperature range -40 °C/+120 °C¹

¹ upper limit temperature (insulating body) RTI (electrical) of the UL Yellow Card

Materials

Insulating body PA GF, V-0 according to UL94¹

Contact pin CuZn, pre-nickel and tin-plated

¹ component glow wire resistant (GWT 750 °C), testing acc. to IEC 60695-2-11, assessment acc. to IEC 60335-1 (flame < 2 s)




Mechanical data

Keying proposals at www.lumberg.com 

Electrical data (at T_{amb} 20 °C)

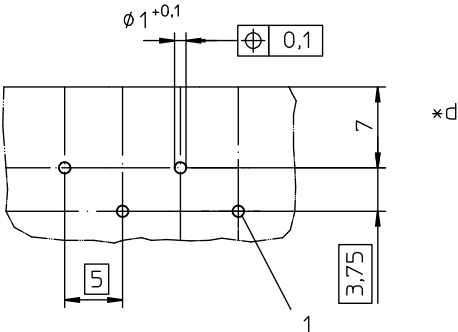
Rated current	6 A (T _{amb} 85 °C, VDE)
	2 A (T _{amb} 120 °C, VDE/cULus)
	10 A (T _{amb} 70 °C, 3557 V04 2-5 poles, VDE/ULus)
Rated voltage	6 A (T _{amb} 70 °C, 3557 V04 2-5 poles, cUL)
	400 V AC (VDE) 250 V AC (cULus) 400 V AC (3557 V04)
Material group	IIIa (IEC)/2 (UL) (CTI ≥ 250)
Creepage distance	4,4 mm
Clearance	4,4 mm
Insulation resistance	> 1 GΩ

Associated products

Counterparts	 3522	 3522-1	 3522-2
--------------	--	--	--

35

3557



*a keying

*b printed circuit board layouts, solder side view

*c uneven pole numbers

*d even pole numbers

35

3557

Designation	Pole Number	PU (Pieces)	MDQ (Pieces)	Dimensions		
				A (mm)	B (mm)	C (mm)
3557 02	2	1000	2000	5	10.1	11.7
3557 03	3	1000	2000	10	15.1	16.7
3557 04	4	500	2000	15	20.1	21.7
3557 05	5	500	2000	20	25.1	26.7
3557 06	6	250	2000	25	30.1	31.7
3557 07	7	250	2000	30	35.1	36.7
3557 08	8	250	2000	35	40.1	41.7
3557 09	9	250	2000	40	45.1	46.7
3557 10	10	250	2000	45	50.1	51.7

Designation to be completed by further details (e.g. for keying, color or material options).

Packaging:

in bulk, in a cardboard box