

35

3570

RAST 2.5 connectors, pitch 2.5/5.0 mm



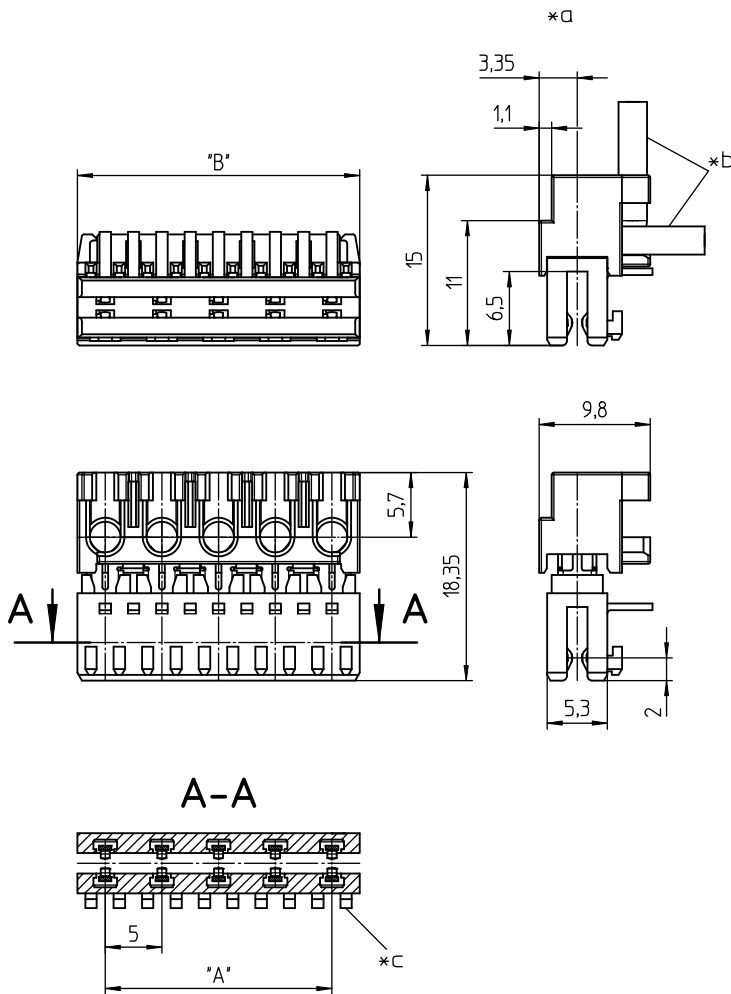
RAST 2.5 Power connector for direct and indirect mating,
insulation displacement technology (IDT), consecutive
placement without loss of pitch
contact pitch 5.0 mm

Approvals:



35

3570



Environmental conditions

Temperature range -40 °C/+130 °C¹

¹ upper limit temperature (insulating body) RTI (electrical) of the UL Yellow Card

Materials

Insulating body PBT GF, V-0 according to UL94 – 3570
PA, V-2 according to UL94 – 3570 M09¹

Contact spring Cu alloy, silver-plated – 3570
Cu alloy, tin-plated (Sn/Ag) – 3570 V03


¹ M09: component glow wire resistant (GWT 750 °C), testing acc. to IEC 60695-2-11, assessment acc. to IEC 60335-1 (flame < 2 s)

Mechanical data

Mating with printed circuit board 1.5 ± 0.14 mm

Insertion force/contact ≤ 4.0 N

Withdrawal force/contact ≥ 0.5 N

Keying proposals at www.lumberg.com 


Connectable conductors for IDT area

Construction discrete conductor, notched flat cable 5.0 mm

Section min. 0,35 mm²

Section max. 0,82 mm²

Insulation diameter ≤ 2,5 mm

Approved cables at www.lumberg.com 

Electrical data (at T_{amb} 20 °C)

Contact resistance ≤ 5 mΩ

Rated current 3570:
6 A (T_{amb} 70 °C)
10 A (indirect mating, 2-5 poles)
3570 V03:
6 A (T_{amb} 70 °C, max. 4 poles under load)

Rated voltage 400 V AC

Material group IIIa (IEC)/2 (UL) (CTI ≥ 250)

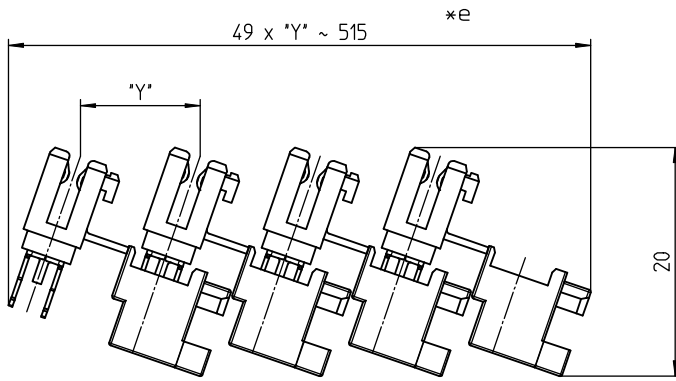
Creepage distance ≥ 4,0 mm

Clearance ≥ 4,0 mm

Insulation resistance > 1 GΩ

35

3570



Associated products

Counterparts

☞ 3542	☞ 3542-1	☞ 3546
☞ 3546-1	☞ 3552	☞ 355295
☞ 355299	☞ 3556	☞ 83546

Harnessing equipment

☞ HA3...e	☞ HA357e	☞ HA357e-CA
☞ HA357f-CA-KC-KT	☞ HZ-M357	☞ KHP357
☞ VARICON 7000	☞ VARICON 7000-Eco	☞ VARICON 7000-Eco-CR
☞ VARICON 7000-Inline	☞ VARICON 7000-Inline-CR	☞ VARICON 7000-RD
☞ VARICON 7000-RD-CR		

- *a terminated connector
- *b cable departure
- *c keying
- *e chaining of the component parts (state of delivery)

35

3570

Designation	Pole Number	PU (Pieces)	MDQ (Pieces)	Dimensions	
				A (mm)	B (mm)
3570 02	2	3528	3528	5	9.9
3570 03	3	2352	2352	10	14.9
3570 04	4	1764	1764	15	19.9
3570 05	5	1176	2352	20	24.9
3570 06	6	1176	2352	25	29.9
3570 07	7	882	2646	30	34.9
3570 08	8	882	2646	35	39.9
3570 09	9	588	2352	40	44.9
3570 10	10	588	2352	45	49.9

Designation to be completed by further details (e.g. for keying, color or material options).

Packaging:

chained, in a cardboard box