

35

357000

RAST 2.5 connectors, pitch 2.5/5.0 mm

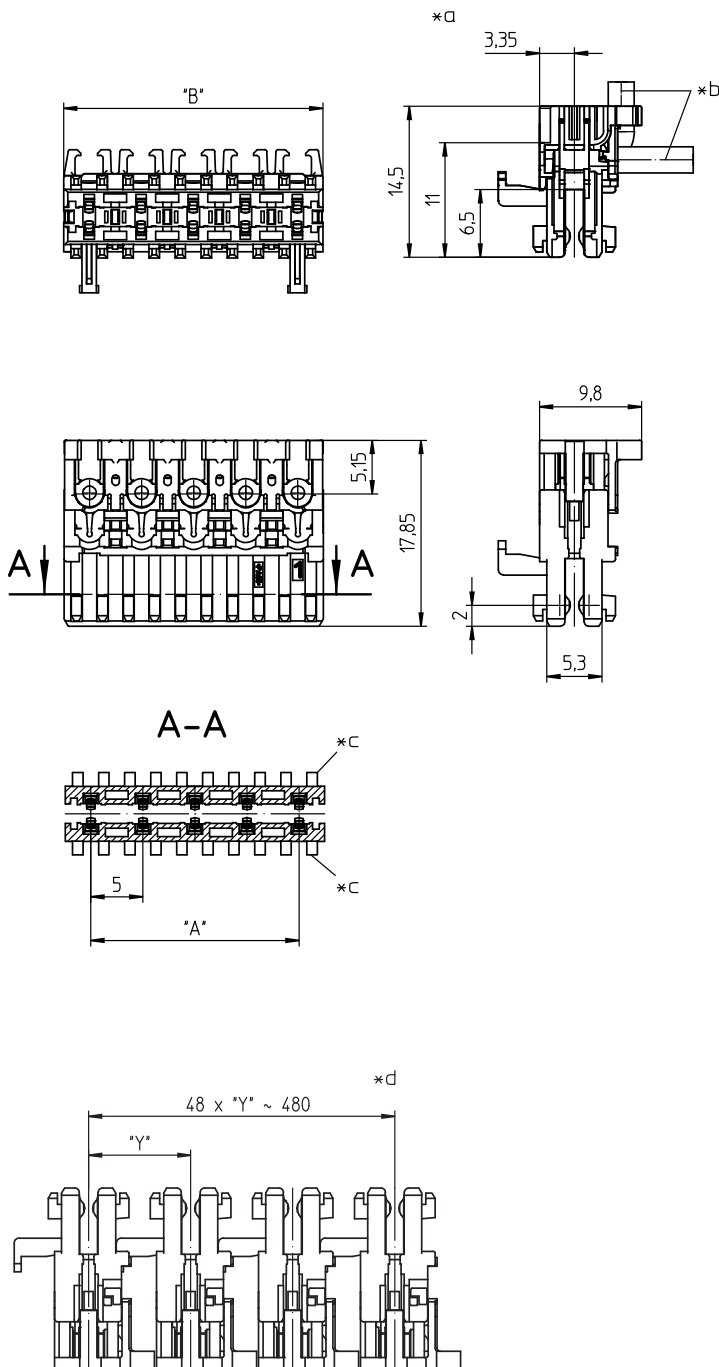


RAST 2.5 Power plus™ connector for direct and indirect mating, insulation displacement technology (IDT), with double-sided keying, consecutive placement without loss of pitch  
contact pitch 5.0 mm

Approvals:



35 357000



### Environmental conditions

Temperature range -40 °C/+130 °C<sup>1</sup>

<sup>1</sup> upper limit temperature (insulating body) RTI (electrical) of the UL Yellow Card

### Materials

Insulating body PA, V-0 according to UL94<sup>1</sup>

Contact spring Cu alloy, silver-plated

<sup>1</sup> material halogen-free, GWFI 850 °C (0.40 mm) according to IEC 60695-2-12, GWIT 775 °C (0.40 mm) according to IEC 60695-2-213

### Mechanical data

Mating with printed circuit board 1.5 ± 0.14 mm

Insertion force/contact ≤ 4.0 N

Withdrawal force/contact ≥ 0.5 N

Keying proposals at [www.lumberg.com](http://www.lumberg.com) 

### Connectable conductors for IDT area

Construction discrete conductor, notched flat cable 5.0 mm

Section min. 0,5 mm<sup>2</sup>

Section max. 0,75 mm<sup>2</sup>

Insulation diameter ≤ 2,5 mm

Approved cables at [www.lumberg.com](http://www.lumberg.com) 

### Electrical data (at T<sub>amb</sub> 20 °C)

Contact resistance ≤ 10 mΩ

Rated current 6 A (T<sub>amb</sub> 70 °C)

10 A (T<sub>amb</sub> 70 °C, indirect mating, 2-4 poles)

Rated voltage 400 V AC

Material group I (IEC)/0 (UL) (CTI ≥ 600)

Creepage distance 3,2 mm

Clearance 3,2 mm

Insulation resistance > 1 GΩ

### Associated products

Counterparts


 3542

 3542-1

 3546

 3546-1

 3552

 355295


 355299


 3556

 83546

Harnessing equipment

 HA3...e

 HA357 plus

 KHP357 plus

35

357000

- 
- \*a terminated connector
  - \*b cable departure
  - \*c keying
  - \*d chaining of the component parts (state of delivery)

- 
- [VARICON 7000](#)
  - [VARICON 7000-Eco](#)
  - [VARICON 7000-Eco-CR](#)
  - [VARICON 7000-Inline](#)
  - [VARICON 7000-Inline-CR](#)
  - [VARICON 7000-RD](#)
  - [VARICON 7000-RD-CR](#)
-

35

357000

Designation	Pole Number	PU (Pieces)	MDQ (Pieces)	Dimensions	
				A (mm)	B (mm)
357000 02	2	3456	3456	5	9.9
357000 03	3	2160	2160	10	14.9
357000 04	4	1728	1728	15	19.9
357000 05	5	1296	1296	20	24.9
357000 06	6	864	864	25	29.9
357000 07	7	864	864	30	34.9
357000 08	8	864	864	35	39.9

Designation to be completed by further details (e.g. for keying, color or material options).

**Packaging:**

chained, in a cardboard box