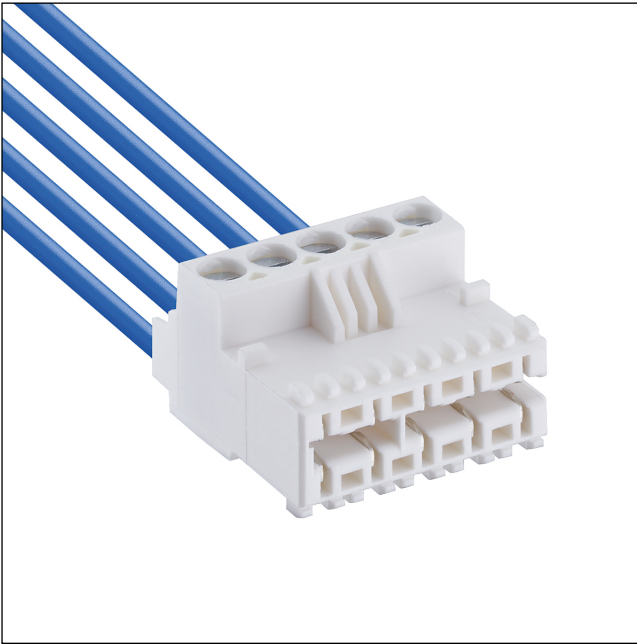


36

3613

RAST 5 connectors, pitch 5.0 mm



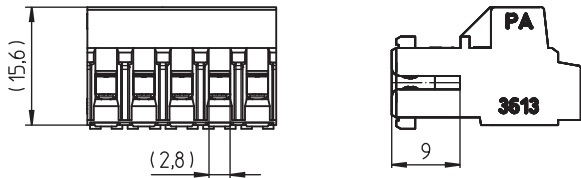
RAST 5 connector for direct mating, with screw terminal, with lift clamp with protection against misplacing, with keying rib and closed sides, consecutive placement without loss of pitch

Approvals:

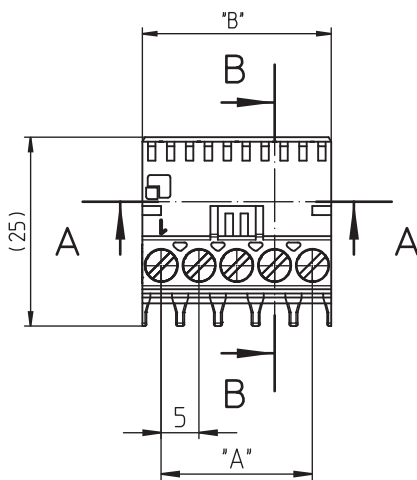
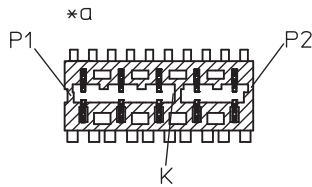


36

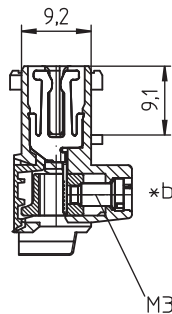
3613



A-A



B-B



Environmental conditions

Temperature range -40 °C/+125 °C – 3613
-40 °C/+130 °C – 3613 M08¹


¹ upper limit temperature (insulating body) RTI (electrical) of the UL Yellow Card

Materials

Insulating body PA, V-2 according to UL94 – 3613
PA, V-2 according to UL94 – 3613 M08¹
Contact spring CuSn, tin-plated
Clamp CuZn, nickel-plated
Screw steel, zinc-plated and chromatiert

¹ M08: component glow wire resistant (GWT 750 °C), testing acc. to IEC 60695-2-11, assessment acc. to IEC 60335-1 (flame < 2 s)

Mechanical data

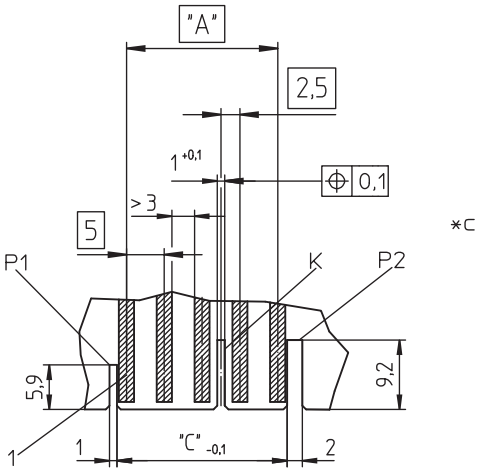
Mating with printed circuit board 1.5 ± 0.14 mm
Insertion force/contact ≤ 4,0 N
Withdrawal force/contact ≥ 1,0 N
Tightening torque screw 0,5 Nm
Keying proposals at www.lumberg.com 

Connectable conductors for screw clamp

Section stranded wire 0,14–2,5 mm² (AWG 26–14)
Section stranded wire with ferrule 0,25–2,5 mm² (AWG 24–14)
Section solid wire 0,14–4,0 mm² (AWG 26–12)
Stripping length 8 ± 1 mm

Electrical data (at T_{amb} 20 °C)

Contact resistance ≤ 5 mΩ
Rated current 6 A (T_{amb} 70 °C)
Rated voltage 300 V/250 V (VDE, cULus)
Material group I (IEC)/0 (UL) (CTI ≥ 600) – 3613
IIIa (IEC)/2 (UL) (CTI ≥ 257) – 3613 M08
Creepage distance ≥ 2,6 mm
Clearance ≥ 2,6 mm
Insulation resistance > 10 GΩ



Associated products

Accessories
 ☞ 3602

Harnessing equipment
 ☞ HZ3611-K

- *a K = keying
 P = positioning
- *b all screw clamps of the connector to be tightened with the indicated torque
- *c example for printed circuit board layout

36

3613

Designation	Pole Number	PU (Pieces)	MDQ (Pieces)	Dimensions		
				A (mm)	B (mm)	C (mm)
3613 02	2	400	2000	5	9.9	7.5
3613 03	3	400	2000	10	14.9	12.5
3613 04	4	200	1000	15	19.9	17.5
3613 05	5	200	1000	20	24.9	22.5
3613 06	6	200	1000	25	29.9	27.5

Designation to be completed by further details (e.g. for keying, color or material options).

Packaging:

in bulk, in a cardboard box