

36

3625 01

RAST 5 connectors, pitch 5.0 mm



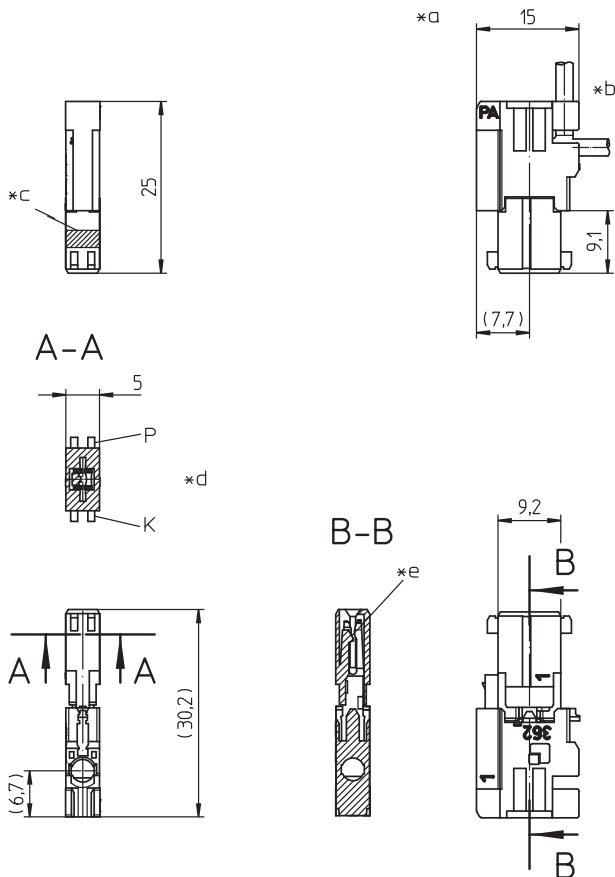
RAST 5 connector for indirect mating, insulation displacement technology (IDT), with locking on tab, consecutive placement without loss of pitch

Approvals:



36

3625 01



- *a terminated connector
- *b cable departure 90° or 180°
- *c K = keying
P = positioning
- *d locking on contact tab
- *e chaining of the component parts (state of delivery)

Environmental conditions

Temperature range	-40 °C/+125 °C – 3625 01
	-40 °C/+130 °C – 3625 01 M08
	-40 °C/+130 °C – 3625 01 M20 ¹

¹ upper limit temperature (insulating body) RTI (electrical) of the UL Yellow Card

Materials

Insulating body	PA, V-2 according to UL94 – 3625 01
	PA, V-2 according to UL94 – 3625 01 M08
	PA, V-0 according to UL94 – 3625 01 M20 ¹

Contact spring CuSn, silver-plated

¹ M08: component glow wire resistant (GWT 750 °C), testing acc. to IEC 60695-2-11, assessment acc. to IEC 60335-1 (flame < 2 s)

M20: material halogen-free, GWFI 850 °C (0.4 mm), GWIT 775 °C (0.4 mm)

Mechanical data

Mating with tab contact 6.3 mm x 0.8 mm according to DIN 46244


Insertion force ≤ 50 N¹

Withdrawal force ≥ 15 N¹

Keying proposals at www.lumberg.com 

¹ measured with a polished flat steel pin, nominal thickness 0.8 mm

Connectable conductors for IDT area

Construction	discrete conductor, notched flat cable 5.0 mm
Section min.	0,75 mm ²
Section max.	1,5 mm ²
Insulation diameter	≤ 3,0 mm
Approved cables	at www.lumberg.com 

Electrical data (at T_{amb} 20 °C)

Contact resistance	≤ 5 mΩ
Rated current	16 A (1.0–1.5 mm ² , T _{amb} 70 °C, VDE/ULus)
	16 A (1.5 mm ² , T _{amb} 70 °C, cUL)
	12 A (1.0 mm ² , T _{amb} 70 °C, cUL)
Rated voltage	250 V AC (VDE/cULus)
Material group	I (IEC)/0 (UL) (CTI ≥ 600) – 3625 01
	IIIa (IEC)/2 (UL) (CTI ≥ 250) – 3625 01 M08
	I (IEC)/2 (UL) (CTI ≥ 600) – 3625 01 M20
Insulation resistance	> 10 GΩ

Associated products

Counterparts

- | | | |
|-----------------------------|-------------------------------|-----------------------------|
| ↗ 3641 V167 | ↗ 364197 V167 | ↗ 3642 V167 |
| ↗ 3643 V167 | ↗ 3644 V167 | ↗ 3645 V167 |

Harnessing equipment

- | | | |
|---------------------------------------|--|---------------------------------------|
| ↗ HA3...e | ↗ HA36e | ↗ HA36e-CA |
| ↗ HZ-M36 | ↗ HZ36-K | ↗ KHP36 |
| ↗ VARICON 7000 | ↗ VARICON 7000-Eco | ↗ VARICON 7000-Eco-CR |
| ↗ VARICON 7000-Inline | ↗ VARICON 7000-Inline-CR | ↗ VARICON 7000-RD |
| ↗ VARICON 7000-RD-CR | | |
-

36

3625 01

Designation	Pole Number	PU (Pieces)	MDQ (Pieces)
3625 01	1	7200	7200

Designation to be completed by further details (e.g. for keying, color or material options).

Packaging:

chained, in a cardboard box