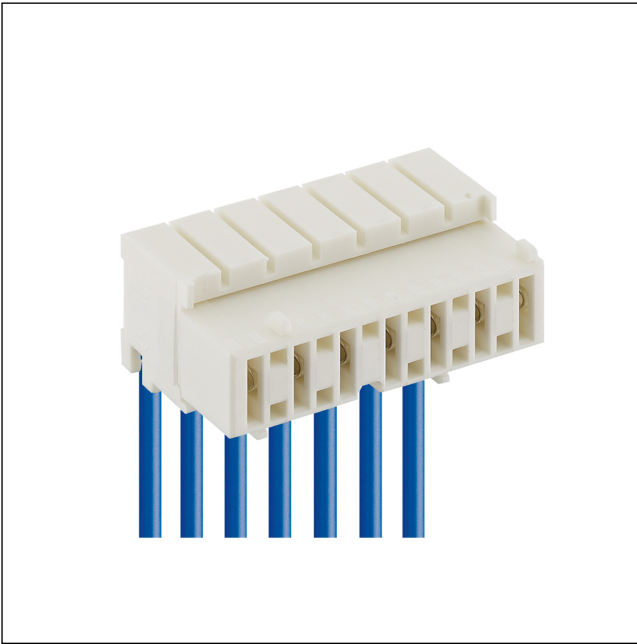


36

3626

RAST 5 connectors, pitch 5.0 mm

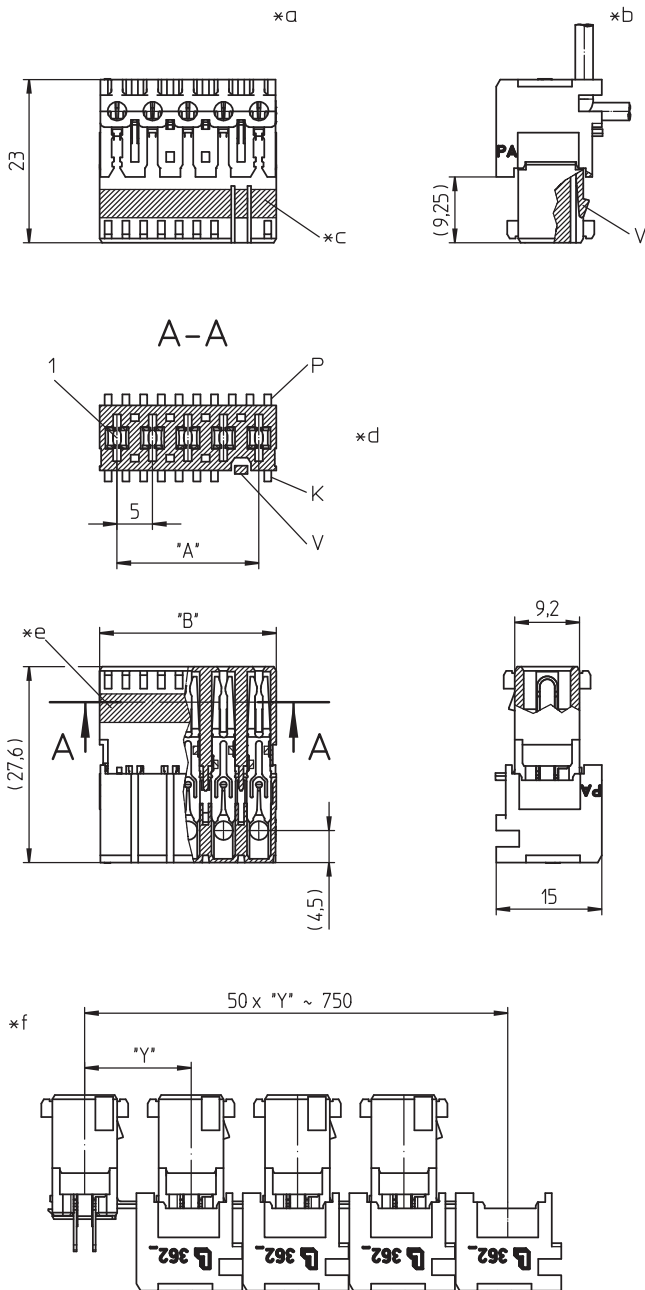


RAST 5 connector for indirect mating, insulation displacement technology (IDT), with interior locking, consecutive placement without loss of pitch

Approvals:



36 3626



Environmental conditions

| | |
|-------------------|--------------------------------------------------|
| Temperature range | -40 °C/+125 °C – 3626 (S...V...) |
| | -40 °C/+130 °C – 3626 M08(S...V...) |
| | -40 °C/+130 °C – 3626 M20(S...V...) ¹ |


¹ upper limit temperature (insulating body) RTI (electrical) of the UL Yellow Card

Materials

| | |
|-----------------|-------------------------------------------------------------|
| Insulating body | PA, V-2 according to UL94 – 3626 (S...V...) |
| | PA, V-2 according to UL94 – 3626 M08(S...V...) |
| | PA, V-0 according to UL94 – 3626 M20(S...V...) ¹ |
| Contact spring | CuSn, tin-plated – 3626 (M...S...) |
| | CuSn, silver-plated – 3626 (M...S...) |
| | V01 |


¹ M08: component glow wire resistant (GWT 750 °C), testing acc. to IEC 60695-2-11, assessment acc. to IEC 60335-1 (flame < 2 s)
M20: material halogen-free, GWFI 850 °C (0.4 mm), GWIT 775 °C (0.4 mm)

Mechanical data

| | |
|--------------------------|-----------------------------------------------------------------------------------------------------------------------------------------------|
| Mating with | tab contact 6.3 mm x 0.8 mm according to DIN 46244 |
| Insertion force/contact | ≤ 4,0 N ¹ |
| Withdrawal force/contact | ≥ 1,0 N ¹ |
| Keying proposals | at www.lumberg.com  |

¹ measured with a polished flat steel pin, nominal thickness 0.8 mm

Connectable conductors for IDT area

| | |
|---------------------|-----------------------------------------------------------------------------------------------------------------------------------------------|
| Construction | discrete conductor, notched flat cable 5.0 mm |
| Section min. | 0,22 mm ² |
| Section max. | 1,0 mm ² |
| Insulation diameter | ≤ 2,5 mm |
| Approved cables | at www.lumberg.com  |

Electrical data (at T_{amb} 20 °C)

| | |
|-----------------------|----------------------------------------------------------------------------|
| Contact resistance | ≤ 5 mΩ |
| Rated current | 10 A (0.75 mm ² , T _{amb} 70 °C) – 3626 (M...V...) |
| | 4 A (0.38 mm ² , T _{amb} 70 °C) – 3626 (M...S01(V...)) |
| Rated voltage | 250 V AC ¹ |
| Material group | I (IEC)/0 (UL) (CTI ≥ 600) – 3626 (S...V...), 3626 M20(S...V...) |
| | IIIa (IEC)/2 (UL) (CTI ≥ 250) – 3626 M08(S...V...) ¹ |
| Creepage distance | 3,2 mm |
| Clearance | 3,2 mm |
| Insulation resistance | > 10 GΩ |

¹ according to IEC 60664/DIN EN 60664, CTI UL classification according to ANSI/UL 746A

- *a terminated connector
- *b cable departure 90° or 180°
- *c color marking blue at 3626 (M..)S01
- *d K = keying
P = positioning
V = lock
- *e optional color keying (FB)
- *f chaining of the component parts (state of delivery)

Associated products

Counterparts

| | | |
|----------------------------|----------------------------|----------------------------|
| ↗ 3618 | ↗ 3618-1 | ↗ 3618-2 |
| ↗ 3618-3 | ↗ 361899 | ↗ 361899-1 |
| ↗ 361899-2 | ↗ 361899-3 | ↗ 3641 |
| ↗ 364199 | ↗ 3642 | ↗ 364299 |
| ↗ 3643 | ↗ 364399 | ↗ 3644 |
| ↗ 364499 | ↗ 3645 | ↗ 364599 |
| ↗ 3647 | ↗ 3648 | ↗ 3649 |
| ↗ 3671 | ↗ 367199 | ↗ 3672 |
| ↗ 367299 | ↗ 3673 | ↗ 367399 |
| ↗ 3674 | ↗ 367499 | ↗ 3676 |
| ↗ 3677 | ↗ 3678 | ↗ 3679 |
| ↗ 3680 | ↗ 3683 | |

Harnessing equipment

| | | |
|-----------------------------------------------|--------------------------------------------|-------------------------------------------|
| ↗ HA36e | ↗ HA36e-CA | ↗ HZ-M36 |
| ↗ HZ36-K | ↗ KHP36 | ↗ VARICON 7000 |
| ↗ VARICON 7000-Eco | ↗ VARICON 7000-Eco- CR | ↗ VARICON 7000-Inline |
| ↗ VARICON 7000- Inline-CR | ↗ VARICON 7000-RD | ↗ VARICON 7000-RD- CR |

| Designation | Pole Number | PU (Pieces) | MDQ (Pieces) | Dimensions | |
|-------------|-------------|-------------|--------------|------------|--------|
| | | | | A (mm) | B (mm) |
| 3626 02 | 2 | 3600 | 3600 | 5 | 9.9 |
| 3626 03 | 3 | 2250 | 2250 | 10 | 14.9 |
| 3626 04 | 4 | 1800 | 1800 | 15 | 19.9 |
| 3626 05 | 5 | 1350 | 1350 | 20 | 24.9 |
| 3626 06 | 6 | 900 | 1800 | 25 | 29.9 |
| 3626 07 | 7 | 900 | 1800 | 30 | 34.9 |
| 3626 08 | 8 | 900 | 1800 | 35 | 39.9 |
| 3626 09 | 9 | 450 | 1800 | 40 | 44.9 |
| 3626 10 | 10 | 450 | 1800 | 45 | 49.9 |
| 3626 11 | 11 | 450 | 1800 | 50 | 54.9 |
| 3626 12 | 12 | 450 | 1800 | 55 | 59.9 |

Designation to be completed by further details (e.g. for keying, color or material options).

Packaging:

chained, in a cardboard box