

36

3628

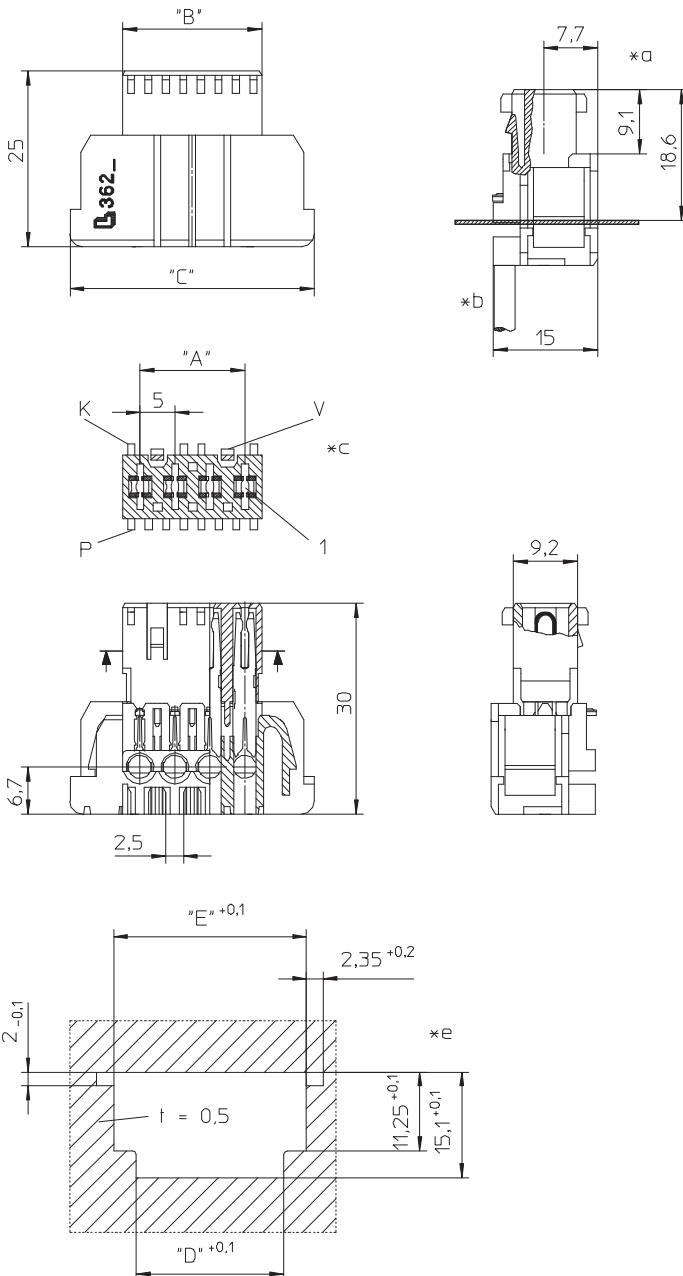
RAST 5 connectors, pitch 5.0 mm



RAST 5 chassis connector for indirect mating, insulation displacement technology (IDT), with interior locking

36

3628



Environmental conditions

Temperature range -40 °C/+110 °C

Materials

Insulating body PA, V-2 according to UL94
Contact spring CuSn, silver-plated

Mechanical data

Mating with tab contact 6.3 mm x 0.8 mm according to DIN 46244
Insertion force/contact $\leq 4,0$ N
Withdrawal force/contact $\geq 1,0$ N
Keying proposals at www.lumberg.com

Connectable conductors for IDT area

Construction discrete conductor, notched flat cable 5.0 mm
Section min. 0,75 mm²
Section max. 1,5 mm²
Insulation diameter $\leq 3,0$ mm
Approved cables at www.lumberg.com

Electrical data (at T_{amb} 20 °C)

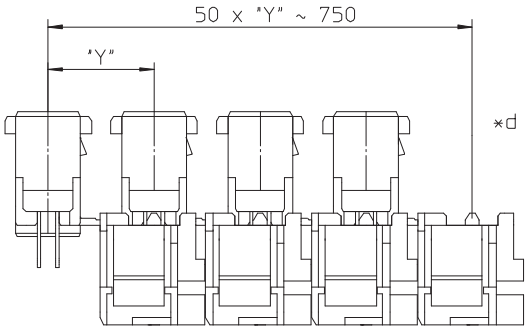
Contact resistance ≤ 5 mΩ
Rated current 12 A (T_{amb} 70 °C)
Rated voltage 250 V AC
Material group II (CTI ≥ 450)
Creepage distance $\geq 3,2$ mm
Clearance $\geq 3,2$ mm
Insulation resistance > 10 GΩ

Associated products

Counterparts
☞ 3641 V167 ☞ 3647

Harnessing equipment

☞ HZ-M36 ☞ HZ36-K ☞ KHP36
☞ VARICON 7000 ☞ VARICON 7000-Eco ☞ VARICON 7000-Eco-CR
☞ VARICON 7000-Inline ☞ VARICON 7000-Inline-CR ☞ VARICON 7000-RD
☞ VARICON 7000-RD-CR



- *a terminated connector, snapped into mounting plate
- *b cable departure 90° or 180°
- *c K = keying
P = positioning
V = lock
- *d chaining of the component parts (state of delivery)
- *e port in mounting plate

36

3628

Designation	Pole Number	PU (Pieces)	MDQ (Pieces)	Dimensions				
				A (mm)	B (mm)	C (mm)	D (mm)	E (mm)
3628 08	8	900	1800	35	39.9	54.9	411	47.6

Designation to be completed by further details (e.g. for keying, color or material options).

Packaging:

chained, in a cardboard box