

36

3628-1

RAST 5 connectors, pitch 5.0 mm



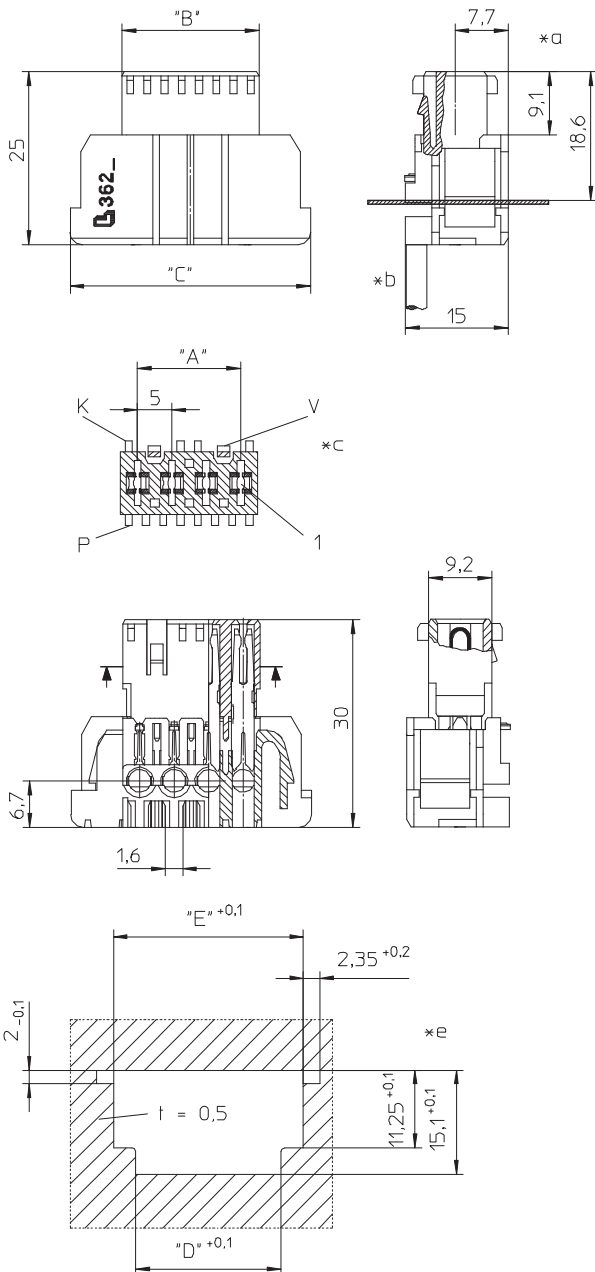
RAST 5 chassis connector for indirect mating, insulation displacement technology (IDT), with interior locking, for use in a higher temperature range

Approvals:



36

3628-1



Environmental conditions

Temperature range -25 °C/+150 °C – 3628-1 M05(S03)

Materials

Insulating body PA, V-2 according to UL94 – 3528-1 M05(S03)
Contact spring Cu alloy, silver-plated

Mechanical data

Mating with tab contact 6.3 mm x 0.8 mm according to DIN 46244
Insertion force/contact $\leq 4,0$ N
Withdrawal force/contact $\geq 1,0$ N
Keying proposals at www.lumberg.com

Connectable conductors for IDT area

Construction discrete conductor, notched flat cable 5.0 mm
Section min. 0,75 mm²
Section max. 1 mm²
Insulation diameter $\leq 3,0$ mm
Approved cables at www.lumberg.com

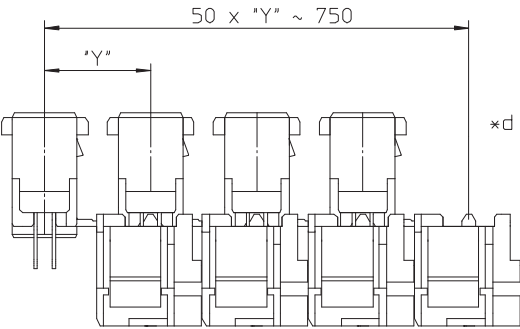
Electrical data (at T_{amb} 20 °C)

Contact resistance ≤ 5 m Ω
Rated current 10.5 A (T_{amb} 120 °C)
Rated voltage 250 V AC
Material group IIIa (CTI ≥ 250)
Creepage distance $\geq 3,2$ mm
Clearance $\geq 3,2$ mm
Insulation resistance > 10 G Ω

Associated products

Counterparts
[3647-1](#)

Harnessing equipment
[HZ-M36](#) [HZ36-K](#) [KHP36](#)
[VARICON 7000](#)



- *a terminated connector, snapped into mounting plate
- *b cable departure 90° or 180°
- *c K = keying
 P = positioning
 V = lock
- *d chaining of the component parts (state of delivery)
- *e port in mounting plate

36

3628-1

Designation	Pole Number	PU (Pieces)	MDQ (Pieces)	Dimensions				
				A (mm)	B (mm)	C (mm)	D (mm)	E (mm)
3628-1 08	8	900	1800	35	39.9	54.9	411	47.6

Designation to be completed by further details (e.g. for keying, color or material options).

Packaging:

chained, in a cardboard box