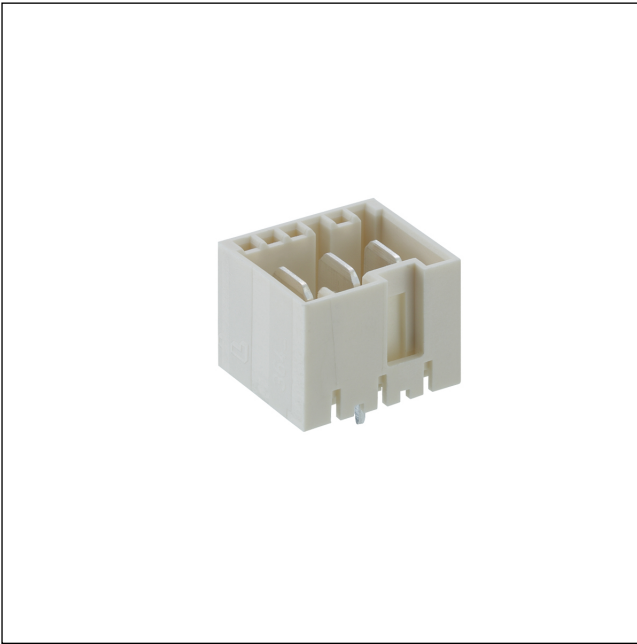


36

364197

RAST 5 connectors, pitch 5.0 mm

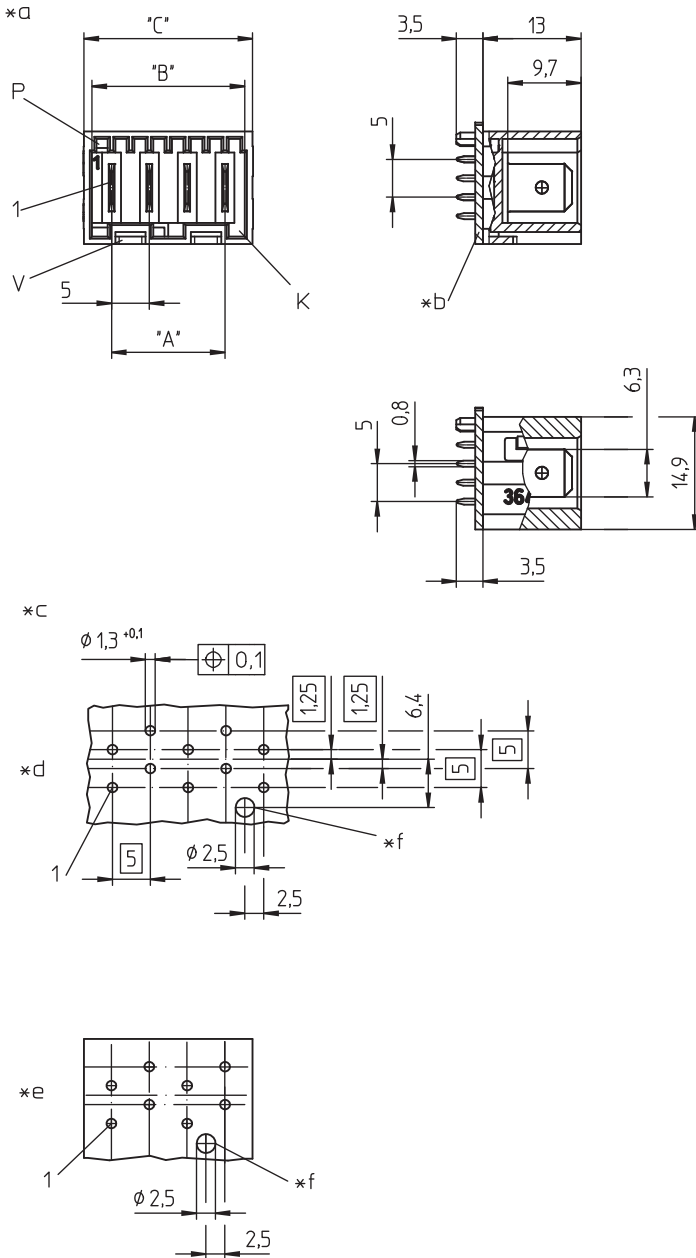


RAST 5 tab header, upright, with positioning spigot,
pottable version

Approvals:



36 364197



Environmental conditions

Temperature range -40 °C/+120 °C

Materials

Insulating body PA GF, V-0 according to UL94¹

Contact tab CuZn, pre-nickel and tin-plated

¹ component glow wire resistant (GWT 750 °C), testing acc. to IEC 60695-2-11, assessment acc. to IEC 60335-1 (flame < 2 s)

Mechanical data

Contact tab 6.3 x 0.8 mm according to DIN 46244

Keying proposals at www.lumberg.com

Electrical data (at T_{amb} 20 °C)

Rated current 10 A (T_{amb} 70 °C)

Rated voltage 250 V AC

Material group IIIa (IEC)/2 (UL) (CTI ≥ 250)

Creepage distance 4,2 mm


Clearance 4,2 mm

Insulation resistance > 10 GΩ

Associated products

Counterparts

 3623

 3623 01 V01

-
- *a K = keying
P = positioning
V = space for lock
 - *b printed circuit board
 - *c printed circuit board layout, solder side view
 - *d uneven pole numbers
 - *e even pole numbers
 - *f bore hole for positioning spigot

36

364197

Designation	Pole Number	PU (Pieces)	MDQ (Pieces)	Dimensions		
				A (mm)	B (mm)	C (mm)
364197 02	2	250	1000	5	10.2	12.3
364197 03	3	250	1000	10	15.2	17.3

Designation to be completed by further details (e.g. for keying, color or material options).

Packaging:

in bulk, in a cardboard box