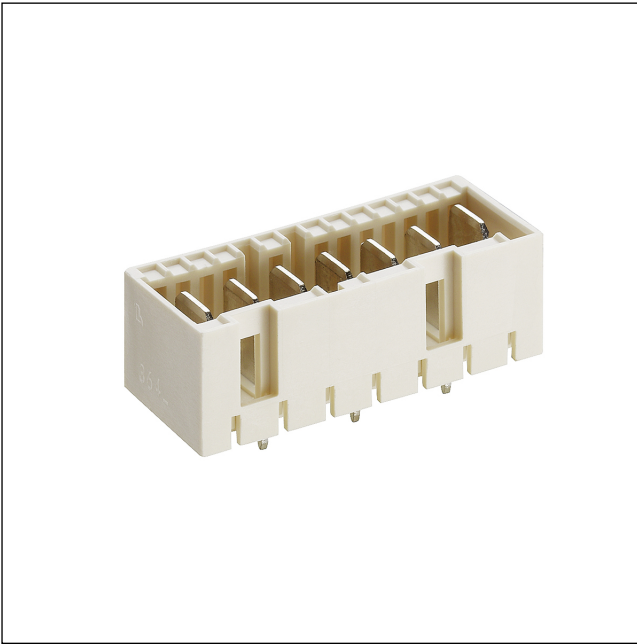


36

364199

RAST 5 connectors, pitch 5.0 mm



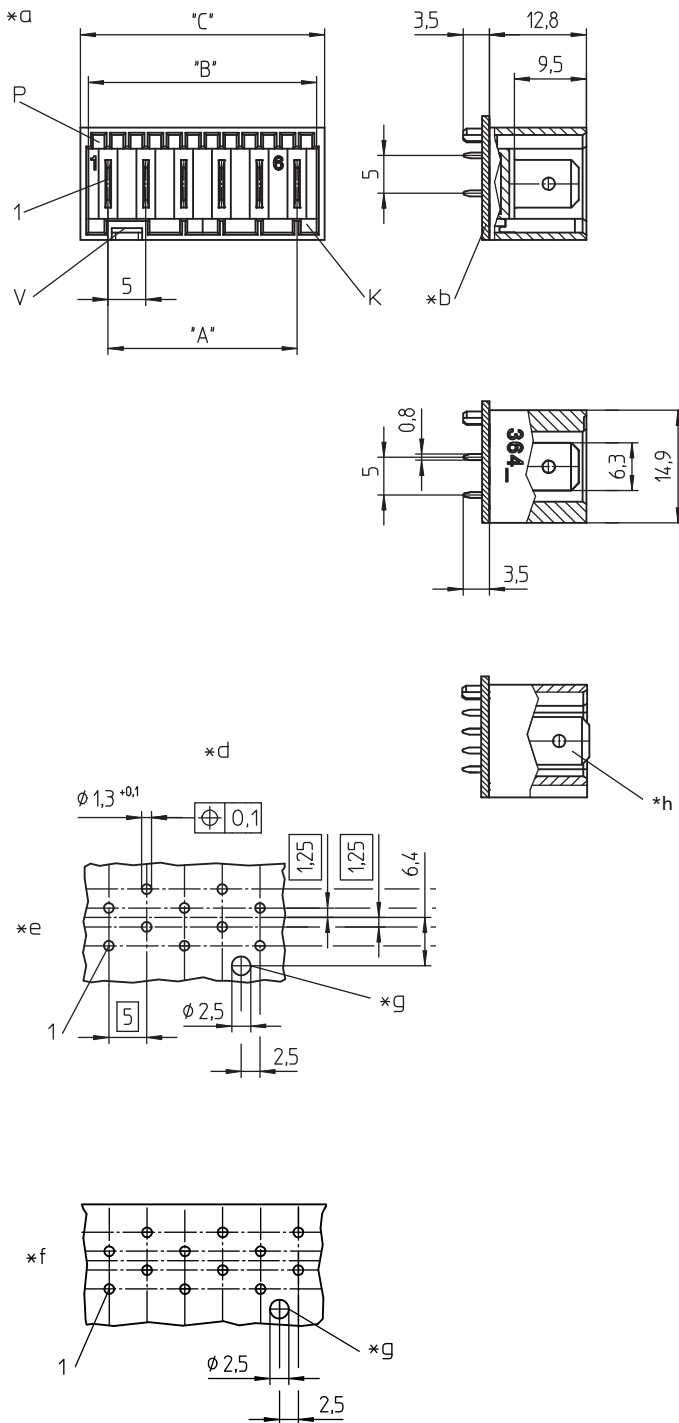
RAST 5 tab header, upright, with positioning spigot, with pre-mating protective contacts

---

Approvals:



36 364199



#### Environmental conditions

Temperature range -40 °C/+120 °C

#### Materials

Insulating body PA GF, V-0 according to UL94<sup>1</sup>

Contact tab CuZn, pre-nickel and tin-plated

<sup>1</sup> component glow wire resistant (GWT 750 °C), testing acc. to IEC 60695-2-11, assessment acc. to IEC 60335-1 (flame < 2 s)

#### Mechanical data

Contact tab 6.3 x 0.8 mm according to DIN 46244

Keying proposals at [www.lumberg.com](http://www.lumberg.com) 

#### Electrical data (at T<sub>amb</sub> 20 °C)

Rated current 10 A (T<sub>amb</sub> 70 °C)

Rated voltage 250 V AC

Material group IIIa (IEC)/2 (UL) (CTI ≥ 250)

Creepage distance 4,2 mm

Clearance 4,2 mm

Insulation resistance > 10 GΩ

Designation	Pole Number	PU (Pieces)	MDQ (Pieces)
364199 02	2	250	1000
364199 03	3	250	1000
364199 04	4	250	1000
364199 05	5	250	1000
364199 06	6	250	1000
364199 07	7	250	1000
364199 08	8	250	1000
364199 09	9	250	1000
364199 10	10	250	1000
364199 11	11	250	1000
364199 12	12	250	1000